

LED Indicating Display Controller

for Frequency, Current, or Voltage Inputs



measuring
•
monitoring
•
analyzing

ADI-1



- Panel Mount or Field Housing
- 270° Bargraph with 5-digit LED Digital Display
- 2 SPDT Limit Contacts
- Min/Max Memory
- Protection IP 65
- Easily User Programmable via Push Buttons
- Ratemeter & Totalizer
- Optional Sensor Supply



KOBOLD companies worldwide:

ARGENTINA, AUSTRALIA, AUSTRIA, BELGIUM, BULGARIA, CANADA, CHILE, CHINA, COLOMBIA, CZECH REPUBLIC, EGYPT, FRANCE, GERMANY, HUNGARY, INDIA, INDONESIA, ITALY, MALAYSIA, MEXICO, NETHERLANDS, PERU, POLAND, REPUBLIC OF KOREA, ROMANIA, SINGAPORE, SPAIN, SWITZERLAND, TAIWAN, THAILAND, TUNISIA, TURKEY, UNITED KINGDOM, USA, VIETNAM

KOBOLD Instruments, Inc.
1801 Parkway View Drive
Pittsburgh, PA 15205
Main Office:
1.800.998.1020
1.412.788.4890
info@koboldusa.com
www.koboldusa.com

Description

The KOBOLD ADI-1 is designed to display and process values. Frequency, current, or voltage input signals may be processed. It features both a 5-digit display and a 55 point 270° bargraph. All internal process parameters, in different configurations, can be displayed. Programming is easy, with 4 front buttons in three different programming modes. Four internal alarm parameters can be freely assigned to the 2 limit switches, to the optional analog output, or to the display elements. Basic batching functions are possible via the totalizer and alarm correlation. Various alarm and control functions can be triggered by the digital control input or by pressing a button.



Standard Functions:

- 4-Button Programming, User Scalable
- MIN/MAX Memory, HOLD Function
- Sensor Linearization, Attenuation Function, Logic Function
- Digital Control Input, Freely Allocatable
- 2 SPDT Contacts
- Ratemeter and Totalizer

Optional Functions:

- Analog Output 4 - 20 mA, 0 - 10 V_{DC}
- Sensor Supply

Technical Details: All Models

Bargraph: 55 LEDs at 270°
Freely Scalable, Standard: 0 - 100 %

Digital Display: Red, LED, 5-Digits, 0.55" High
Programmable Decimal-Point Setting

Display Range: -19999 ... +19999

Display Time: 0.1-10 s, Programmable

Measuring Error: ±0.1 % of Measuring Range,
±1 Digit (Normal Signal)
±0.05 % of Measuring Range,
±1 Digit (Frequency Signal)

Temperature Drift: 50 ppm/K

Measurement Inputs

Normal Signals: ..V: -12...12 V_{DC} at R_i = Approx. 200 kΩ
-22...24 mA_{DC} at R_i = Approx. 100 Ω
1...24 mA_{DC} at R_i = Approx. 100 Ω

Pre-Calibrated Ranges:

0 ... 10 V, 4 ... 20 mA

Frequency Input ..F:

0.01 Hz... 99.999 kHz

Sensor Supply

Option ..W: 24V_{DC} ± 10 %, Max. 50 mA

Option ..V: 12V_{DC} ± 5 %, Max. 20 mA

Option ..U: 5V_{DC} ± 5 %, Max. 20 mA

Digital Input:

Max. 30 V_{DC}, > 10 V HIGH;
< 2.4 V LOW, R_i Approx. 5 kΩ

Power Supply

Option ..0: 100... 240 V_{AC} ± 10 %, 50/60 Hz,
Max. 15 VA

100 ... 240 V_{DC}, Max. 15 W

Option ..3: 18... 30 V_{AC}, 50/60 Hz, Max. 15 VA
10... 40 V_{DC}, 15 W

Limit Values:

2 SPDT Relay Contacts
Max. 250 V_{AC}/5 A (Resistive Load)
Max. 30 V_{DC}/5 A

Analog Output: (Optional)

4-20 mA (Load < 360 Ω)
and 0 - 10 V_{DC}, (Load > 10 kΩ)

Output Errors:

0.1% of Full Scale

Storage

Temperature:

-4... 176 °F

Technical Details: Panel Mount, Option ..00

Ambient

Temperature: 32...122 °F

Housing Material: PPO, Fiber-Glass Coated

Protection: Front IP 65, Terminal IP 00

Connection: Pluggable Terminal Block

Cable Cross-Section 0.1"

Weight:

Approx. 1.5 lbs

Technical Details: Field Housing, Options ..F0, ..S0, ..R0

Ambient

Temperature

Supply ..0: -4...140 °F

Supply ..3: -4... 176 °F

Housing Material: Aluminum (Powder Coated), PA 66

Protection: IP 65

Mounting: Wall or Pipe Mount

Connection: Pluggable Terminal Block (Internal)

Cable Glands: PG 13.5

Weight:

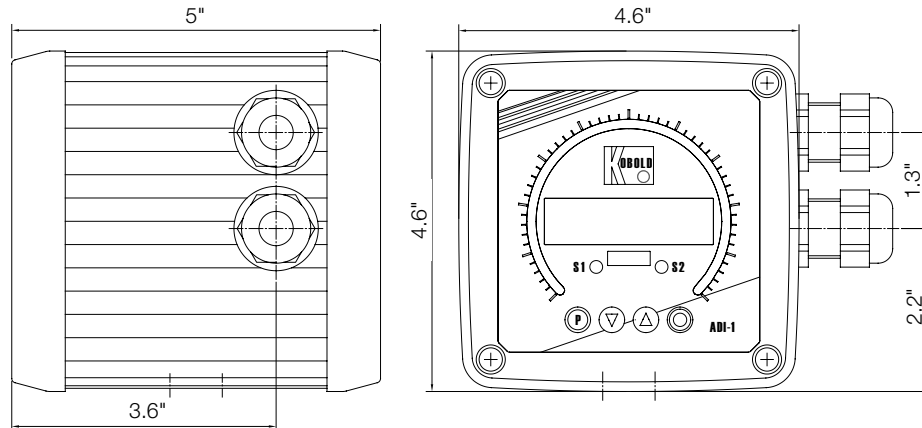
Approx. 3.3 lbs

Order Details (Example: **ADI-1 V 0 0 0 2 F0**)

Model	Input	Supply (Galvanically Isolated)	Output	Sensor Supply	Contacts	Housing
ADI-1..	..V.. = 4-20 mA 0-5 V, 0-10 V ..F.. = Frequency Input 0.01-100kHz	..0.. = 100...240 V _{AC/DC} ..3.. = 18...30 V _{AC} 10...40 V _{DC}	..0.. = without ..4.. = 4 -20mA 0 -10V	..0.. = without ..U.. = 5 V _{DC} ..V.. = 12 V _{DC} ..W.. = 24 V _{DC}	..2.. = 2 SPDT Contacts	..00 = Panel Mounting ..F0 = Field Housing ..S0 = Field Housing with Wall Mount; Rotatable ..R0 = Field Housing with Pipe Mount; for 2" Pipe

Dimensions

Field Housing



Panel Mounting

