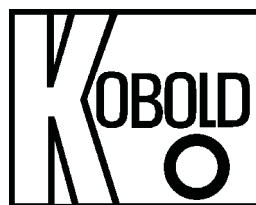


# Operating Instructions

## Power Supply & Isolation Relay for Switches

Model: RL-5900



## 1. Contents

---

1. Contents.....	2
2. Note .....	3
3. Instrument Inspection.....	3
4. Regulation Use .....	3
5. Operating Principle .....	4
6. Mechanical Connection.....	4
6.1 Front View .....	4
6.2 Installation of devices outside of hazardous areas .....	5
7. Mechanical Connection.....	5
8. Electrical Connection .....	6
8.1 Electrical Standards.....	6
9. Maintenance .....	7
10. Order code .....	7
11. Technical Information.....	8
12. Dimensions .....	8

**Manufactured and sold by:**

KOBOLD Instruments Inc.  
1801 Parkway View Drive  
Pittsburgh, PA 15205  
Tel.: 412-788-2830  
Fax: 412-788-4890  
E-Mail: [info@koboldusa.com](mailto:info@koboldusa.com)  
Internet: [www.koboldusa.com](http://www.koboldusa.com)

## 2. Note

---

Please read these operating instructions before unpacking and placing the unit in operation and follow the instructions precisely as described herein.

The devices are only to be used, maintained and serviced by persons familiar with these operating instructions and in accordance with local regulations applying to Health & Safety and prevention of accidents.

## 3. Instrument Inspection

---

Instruments are inspected before shipping and sent out in perfect condition.

Should damage to a device be visible, we recommend a thorough inspection of the delivery packaging. In case of damage, please inform your parcel service/forwarding agent immediately, since they are responsible for damages during transit.

### **Scope of delivery:**

The standard delivery includes:

- Power Supply & Isolation Relay model: RL-59xx
- Operating Instructions

## 4. Regulation Use

---

Any use of the Power Supply & Isolation Relay, model: RL-59xx, which exceeds the manufacturer's specifications, will invalidate the warranty. Therefore, any resulting damage is not the responsibility of the manufacturer. The user assumes any and all risk for such usage.

The RL-59xx series Power Supply & Isolation Relay provides current switching capacity for flow, pressure, level or temperature primary switching devices such as reed contacts and transistors. It provides power for sensor excitation and it has an integrated isolation relay rated 10 A @ 240 VAC.

The data sheets of the individual devices contain the specific electrical data limits for the specific component and must be considered as an essential component of the instruction manual.

## 5. Operating Principle

---

The RL-59xx series Power Supply & Isolation Relay provides current switching capacity for flow, pressure, level or temperature primary switching devices such as reed contacts and transistors. It provides power for sensor excitation and it has an integrated isolation relay rated 10 A @ 240 VAC.

## 6. Mechanical Connection

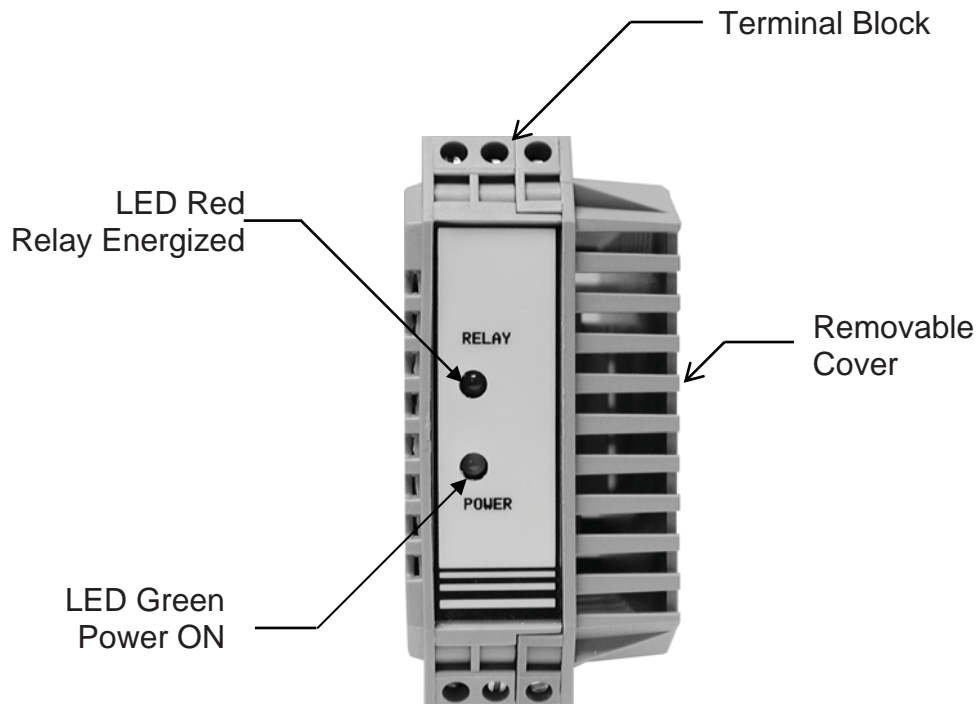
---



Commissioning and installation must only be performed by competent professionals suitably trained for this purpose.

---

### 6.1 Front View



## 6.2 Installation of devices outside of hazardous areas

- The devices are constructed to satisfy the IP20 protection classification and must be protected accordingly from adverse environmental conditions such as water spray or dirt.
- The devices must be installed outside of the hazardous area!

## 7. Mechanical Connection

The devices can be easily mounted:

1. Panel / Wall mounting using a short section of 35 mm DIN rail (supplied)
2. Mounting onto an existing 35 mm standard DIN rail to DIN EN 50 022

When mounting to a DIN rail, the units are simply snapped on as shown.

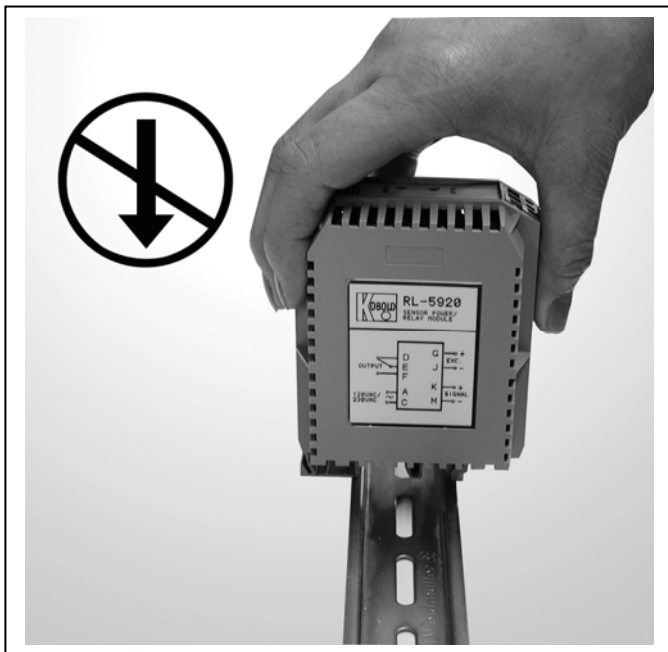


Figure 1

**INCORRECT:** Unit snapped on vertically

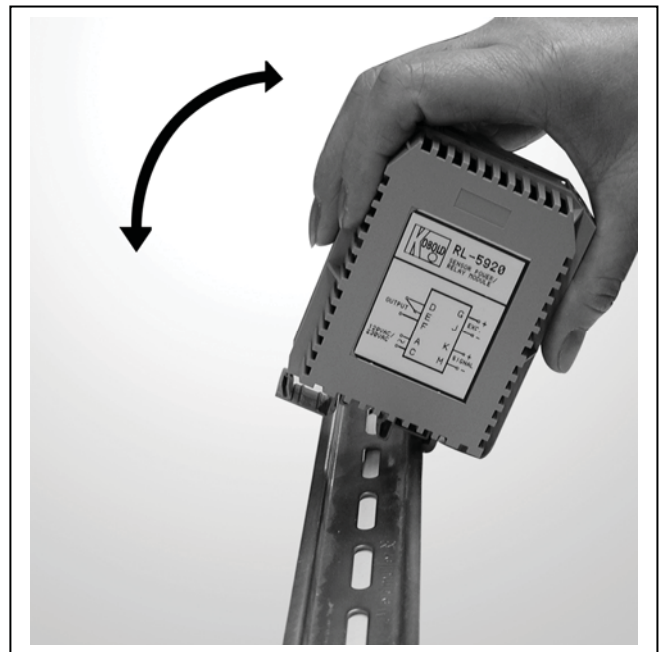


Figure 2

**CORRECT:** Unit snapped on at an angle

## 8. Electrical Connection

### 8.1 Electrical Standards

RL-59xx power supplies are build according to UL and CSA standards.

**NOTE: Units are not UL or CSA approved.**

#### DRY CONTACT OUTPUT DEVICE

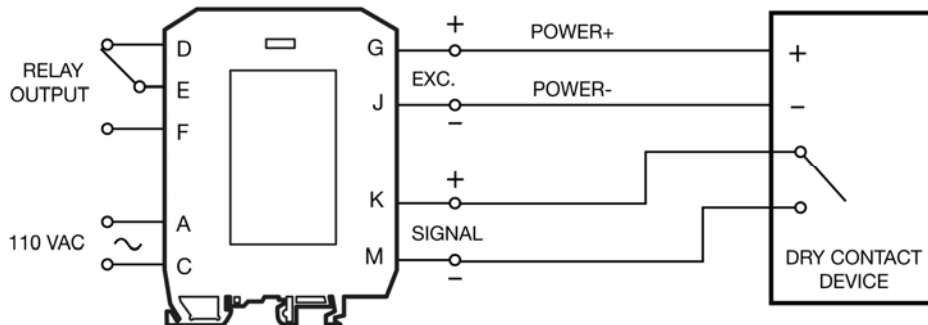


Figure 3

**Note:** For dry contact device, jumper JP1 must be installed (default configuration). See Fig. 5

#### TRANSISTOR OUTPUT DEVICE

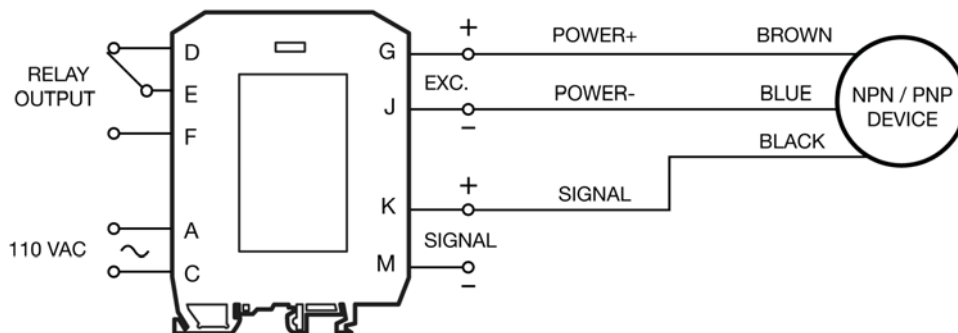


Figure 4

#### Notes:

1. For NPN output device, jumper JP1 must be installed (default configuration). See Fig. 5.
2. For PNP output device, jumper JP1 must be removed (open). See Fig. 5.
3. In PNP configuration, the output relay will be energized under normal conditions
4. EXC. (J) and SIGNAL (M) are internally connected (no external jumper wire required).

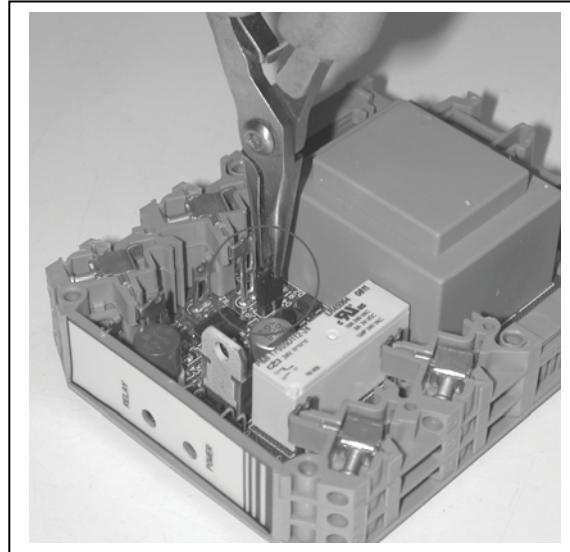


Figure 5

## 9. Maintenance

The performance characteristics of the devices remain stable, even over long periods of time, thus eliminating any need for adjustments. Therefore, maintenance is not required.

No changes may be made to devices. Repairs to devices must only be carried out by specially trained and qualified personnel

## 10. Order code

Supply Voltage	PART NUMBER
	Power Supply & Relay
	Excitation 24 VDC
110 VAC	RL-5901
230 VAC	RL-5902

## Technical Information

---

<b>Supply Voltage:</b>	110 VAC, 230 VAC (per model code)
<b>Output:</b>	SPDT Relay, 10A @ 240 VAC 8A @ 24 VDC
<b>Input:</b>	Dry contact, NPN or PNP open collector, user selectable via jumper * For PNP configuration, the output relay will be energized under normal condition, fail safe * Sink / Source current 15 mA max.
<b>Output:</b>	SPDT Relay, 10A @ 240 VAC 8A @ 24 VDC
<b>Excitation:</b>	24 VDC (+/- 2%) 120 mA regulated, fuse protected
<b>Indicators:</b>	LED Green – Power ON LED Red – Relay energized
<b>Housing:</b>	Molded polyamide NEMA 1/IP20 DIN RAIL mount
<b>Temperature:</b>	0°F to 130°F
<b>Humidity:</b>	0 to 95% RH

## 11. Dimensions

---

