



Variable-Area Flow Meter for Horizontal and Vertical Installation

BGF

Installation and Operating Instructions



Contents

1	Introduction	4
2	Identification	4
2.1	Supplier/manufacturer	4
2.2	Product type	4
2.3	Issue date.....	4
2.4	Version no.....	4
3	Applications	4
4	Safety instructions	4
4.1	Intended use.....	4
4.2	Installation, start-up and operating personnel.....	4
5	Packaging / Storage / Transportation	4
6	Operational mode and system design	5
6.1	Measuring principle	5
6.2	System design	5
7	Input	5
7.1	Measured variable	5
7.2	Measuring range (lower-range and upper-range value)	5
7.3	Measuring range chart	6
8	Output (electrical equipment, options)	6
8.1	Binary output.....	6
8.1.1	KEI 1 or KEI 2 limit switches	6
8.1.2	KEM 1 or KEM 2 limit transducers (special version)	6
8.2	Analog output with the electronic transmitter ES	6
8.3	Model ES-PPA and ES-FF.....	7
9	Characteristic values	7
9.1	Measuring Accuracy	7
9.1.1	Reference conditions.....	7
9.1.2	Measured error.....	7
9.1.3	Repeatability.....	7
9.2	Influence of ambient temperature.....	7
9.3	Influence of fluid temperature	7
10	Conditions of use	7
10.1	Installation conditions	7
10.1.1	Mounting/start-up.....	8
10.1.2	Device settings.....	9
10.1.3	Adjusting the switch point for the inductive limit switch KEI	9
10.1.4	Adjusting the switch point of the SPDT Micro Switch KEM	9
10.1.5	Installation in hazardous areas.....	10
10.2	Ambient conditions	11
10.2.1	Ambient temperature ranges	11
10.2.2	Storage temperature	11
10.2.3	Climatic category	11
10.2.4	Degree of protection	11
10.2.5	Shock resistance/vibration resistance	11
10.2.6	Electromagnetic compatibility	11
10.3	Fluid conditions	12
10.3.1	Fluid temperature ranges	12
10.3.2	Diagrams: Max. ambient temperature based on the fluid temperature for the ES	12
10.3.3	Fluid pressure limit	13
10.3.4	Inlet and outlet sections	13
10.3.5	Physical state	13
10.3.6	Density	13
10.3.7	Viscosity	13
10.3.8	Pressure (for gas measurement)	13
10.3.9	Pressure Drop	13
11	Construction details	13
11.1	Type of construction/dimensions.....	13

11.1.1	Aluminum indicator housing	13
11.1.2	Dimensional drawing with heating connection	14
11.1.3	Indicator housing made of stainless steel	15
11.2	Weights.....	16
11.3	Materials.....	16
11.4	Process connection.....	17
11.5	Magnetic filter	17
11.6	Electrical connection	18
11.6.1	Wiring diagram for ES transmitter (signal output 4-20 mA with HART®).....	18
11.6.2	Wiring diagram for ES transmitter with 4-20 mA output and 2 limit switches	19
11.6.3	Wiring diagram for ES transmitter with 4- 20 mA output, pulse output and limit switch.....	19
11.6.4	Wiring diagram for inductive limit switches KEI	20
11.6.5	Wiring diagram for KEM 1 and KEM 2 micro switches	20
11.6.6	Devices with unconnected cable end	20
12	Indicator unit	20
13	Power supply	20
14	CE marking	21
15	Order information.....	21
16	Standards and directives, certificates and approvals.....	21
17	Maintenance	21
18	Installing and removing the resetting spring and the measuring body	21
19	Trouble shooting.....	21
20	Returning devices for repair and service	22
21	Spare parts.....	22
22	Exploded views	23
22.1	Fitting with measuring body.....	23
22.1.1	BGF-.... standard version DN 15-25	23
22.1.2	BGF-.... standard version DN 50-80	23
22.2	Indicator unit	24
22.2.1	Complete indicator unit, local with scale	24
22.2.2	Complete indicator unit with 1 limit switch SJ 3,5 N	24
22.2.3	Complete indicator unit with 2 limit switches SJ 3,5 N.....	25
22.2.4	Complete indicator unit with 1 pc SPDT micro switch.....	25
22.2.5	Complete Indicator unit with 2 pcs SPDT micro switches KEM	25
22.2.6	Complete Indicator unit with transmitter ES Ex HART®	25
22.3	Model Code	26
23	Decontamination certificate for device cleaning	29
24	EC Type Examination Certificate.....	30
25	Declaration of conformity	36

1 Introduction

These Installation and Operating Instructions serve as a tool for the correct installation, operation and maintenance of the device. They are a supplement to the BGF Device Description. Read the manual carefully before the device is installed and put into use. It does not include special versions or applications.

All devices are thoroughly checked for order compliance and operability before delivery. Upon receipt, please conduct a visual inspection of possible damage that may be identified as having occurred during shipment. If you discover any defect, please contact our head office in Cologne or the local sales office responsible for your area (see the telephone directory at the end of this manual or on our Web site). Apart from a description of the error, we will need the equipment type and serial number of the delivery.

Heinrichs Messtechnik shall not furnish guarantee for any repair work done without prior notice. Unless otherwise agreed on, the rejected parts must be made available to us in case a claim is made.

2 Identification

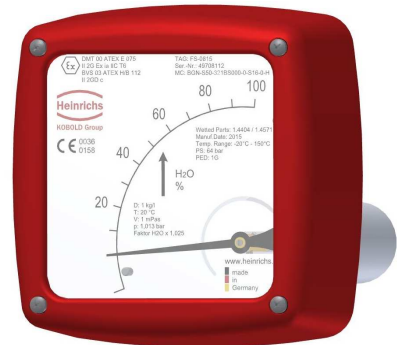
2.1 Supplier/manufacturer

Heinrichs Messtechnik GmbH
Robert-Perthel-Str. 9 · D-50739 Köln
Phone +49 (221) 49708 - 0
Fax +49 (221) 49708 - 178
Internet: <http://www.heinrichs.eu>
E-mail: <mailto:info@heinrichs.eu>

Instruments series BGF will be delivered without label stickers. All important informations such as:

- Measuring range
- Manufacturer
- Serial number
- Model code
- CE marking
- Necessary Ex marking

are printed on instrument scale and can be read from there.



2.2 Product type

Mechanical flow meter in all-metal design

2.3 Issue date

19.10.2016

2.4 Version no.

File: BGF_BA_16.02_en

3 Applications

The BGF flow meter is suitable for flow measurement of liquid or gaseous products in pipes. **The special advantage is that it can be used for all directions.** It shows the current flow rate in volume or mass per unit in time.

Applications: flow measurement, dosing, monitoring, adjusting and control of liquid and gaseous products. The meter's design makes it ideal for processes under difficult and adverse operating conditions.

The devices are available with additional electrical equipment for process monitoring and control.

4 Safety instructions

4.1 Intended use



The BGF variable area flow meter may be used only for flow measurements of liquid and gaseous media. The manufacturer shall not be liable for damages that may result from improper or unintended use. When dealing with an aggressive medium, clarify the material durability of all wetted parts. When using the device in hazardous areas, follow the applicable national installation rules.

4.2 Installation, start-up and operating personnel



Only trained specialists authorized from the system operator may carry out the installation, electrical installations, startup, maintenance and operation. They must read and understand the operating manual and follow its instructions.

Basically, follow the conditions and provisions applicable in your country.

5 Packaging / Storage / Transportation

Carefully unpack the device to avoid damage. The magnet body is secured against damage in transit depending on the device size. Remove this transport protection from the fitting. By pressing the float from the bottom upwards (using a wooden stick, for example), check whether the float can easily be moved upwards and slides back downwards. The pointer position of the indicator unit must follow the direction of movement of the float.

With the help of the delivery note enclosed in the packaging, check whether all technically relevant data correspond with your requirements.

Storage and installation must be done in a clean and dry room so that contamination – especially of the interior of the fitting – is avoided. Follow the limit values for ambient temperature. When transporting the device to a remote mounting location, we recommend that you reuse the factory-issued packaging and the transport protection.

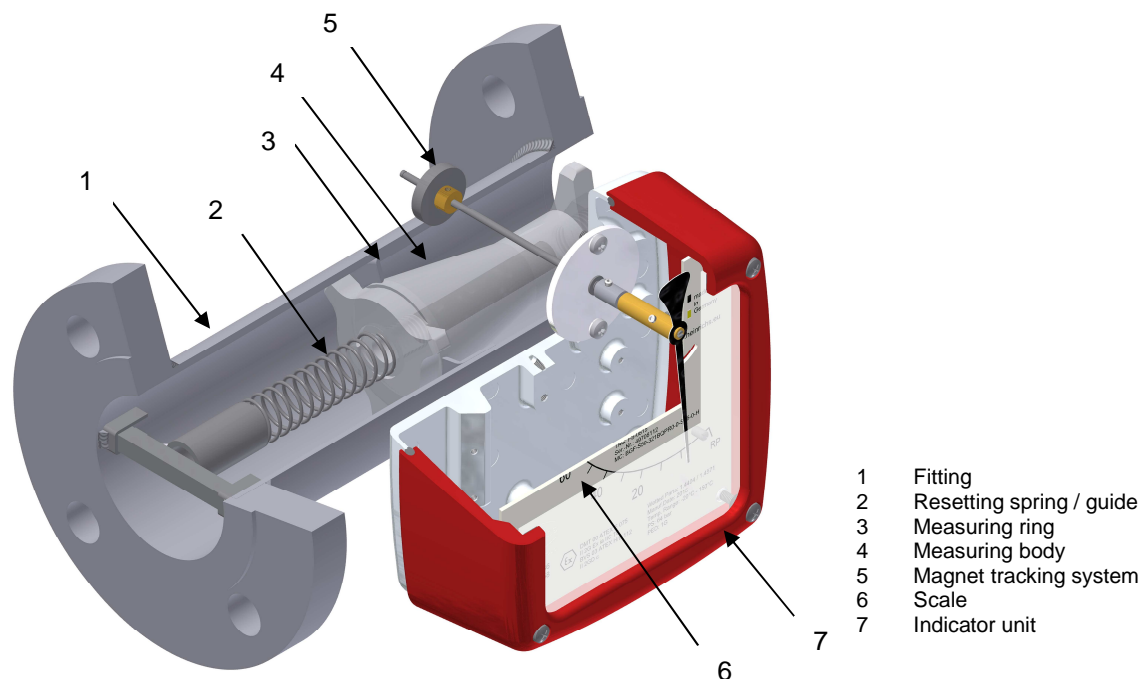
6 Operational mode and system design

6.1 Measuring principle

The measuring element consists of a sharp-edged measuring ring and a conical measuring body with a compression spring.

If a medium flows with sufficient velocity through the measuring ring, the position of the measuring body will be shifted until the flow force and the measuring body plus the spring tension establish equilibrium.

The position of the measuring body in the measuring ring serves as the measure of the flow and is converted to a rotary motion by the permanent magnet embedded in the measuring body through a magnetic coupling system. It is then transmitted to the scale and the additional electrical equipment.



- 1 Fitting
- 2 Resetting spring / guide
- 3 Measuring ring
- 4 Measuring body
- 5 Magnet tracking system
- 6 Scale
- 7 Indicator unit

6.2 System design

The meter consists of a cylindrical fitting pipe with flange connections on both sides, a measuring ring is firmly inserted in it and a vertically movable, conical measuring body.

The position of the measuring body resulting from the flow rate is converted to a rotary motion on the pointer axis of the analog indicator unit via the built-in permanent magnet through the magnetic tracking system.

7 Input

7.1 Measured variable

Volume flow

7.2 Measuring range (lower-range and upper-range value)

Lower-range value	10% of full scale value
Upper range value	100% of full scale value
Measuring range span	10-100%
Smallest measuring range	10-100 l/h water
Largest measuring range	6000-60000 l/h water (standard Version 1.4571 / 316 TI)

7.3 Measuring range chart

Measuring range chart BGF									
DN ⁴⁾ EN1092-1	ASME ⁴⁾ B16.5-2003	Body S... st.st. P... PTFE H... Hastelloy	Range code	Measuring rang water (1000 kg/m ³ ; 1 mPas)		Measuring range air (1.013 bar abs., 20°C) ³⁾		Press. loss (mbar)	Note
15	1/2"	S15	H	10 - 100	l/h	0,3 - 3	m ³ /h	110	1)
		S15	I	16 - 160	l/h	0,5 - 4,6	m ³ /h	110	1)
20	3/4"	S15	J	25 - 250	l/h	0,7 - 7,0	m ³ /h	110	1)
25	1"	S15	K	40 - 400	l/h	1,0 - 11	m ³ /h	110	1)
32	1 1/4"	S15	L	60 - 600	l/h	1,7 - 17	m ³ /h	120	1)
15	3/4"	S25	M	100 - 1000	l/h	3 - 30	m ³ /h	90	1)
20	1"	S25	N	160 - 1600	l/h	4 - 46	m ³ /h	105	1)
25	1 1/4"	S25	P	250 - 2500	l/h	7 - 70	m ³ /h	130	1)
32	1 1/2"	S25	Q	400 - 4000	l/h	11 - 110	m ³ /h	240	1)
40	1 1/2"	S40	P	250 - 2500	l/h	7 - 70	m ³ /h	75	1)
		S40	Q	400 - 4000	l/h	11 - 110	m ³ /h	110	1)
		S40	R	600 - 6000	l/h	17 - 170	m ³ /h	130	1)
		S40	S	1000-10000	l/h	29-290	m ³ /h	?	1)
50	2"	S50	Q	400 - 4000	l/h	11 - 110	m ³ /h	100	2)
65		S50	R	600 - 6000	l/h	17 - 170	m ³ /h	110	2)
		S50	S	1000 - 10000	l/h	29 - 290	m ³ /h	120	2)
		S50	T	1600 - 16000	l/h	46 - 460	m ³ /h	130	2)
		S50	U	2500 - 25000	l/h	70 - 700	m ³ /h	200	2)
80	3"	S80	T	1600 - 16000	l/h	46 - 460	m ³ /h	110	2)
		S80	U	2500 - 25000	l/h	70 - 700	m ³ /h	130	2)
		S80	V	4000 - 40000	l/h	110 - 1100	m ³ /h	200	2)
		S1H	W	6000 - 60000	l/h	170 - 1700	m ³ /h		2)

- 1) Measuring body PTFE or stainless steel
- 2) Measuring body PP, PTFE or stainless steel
- 3) with only atmospheric pressure a measurement is not possible. Indicated values are for orientation. For gas measurements a factor of 2-3 of the inlet pressure should be considered
- 4) Restrictions for instruments with PTFE lining

8 Output (electrical equipment, options)

8.1 Binary output

Using the segments of the slot-type initiators or the eccentric discs of the micro switches, any switching point between 10% and 90% of the flow rate can be set.

8.1.1 KEI 1 or KEI 2 limit switches

KEI 1 = 1 limit switch

KEI 2 = 2 limit switches

Model: SJ 3,5N, manufacturer Pepper l+ Fuchs (special switch possible, e.g. safety version)

Safety class: PTB Nr. 99 ATEX 2219 X
PTB Nr. 00 ATEX 2048 X

8.1.2 KEM 1 or KEM 2 limit transducers (special version)

SPDT micro switches whose switching point is activated by a cam plate.

KEM 1 = 1 SPDT micro switch

KEM 2 = 2 SPDT micro switches

Maximum switching capacity:

230 VAC 50/60Hz 6 A
24 VDC 0.5 A
110 VDC 0.2 A

8.2 Analog output with the electronic transmitter ES

The electronic transmitter ES is factory-calibrated to the delivered scale values. The signal output can only be supplied in a two-wire connection with 4-20 mA. The 4-20 mA signal includes HART® protocol - alternatively it can have PROFIBUS PA® or FIELDBUS FOUNDATION® interface - see point 8.3

Additional options: 2 limit values, alternatively 1 limit value and 1 pulse output

The signal output and the limit values can be configured using a HART® modem operating on the following configuration programs: SensorPort from Bopp & Reuther, PDM from Siemens or AMS from Rosemount. Furthermore, a HART® hand-held terminal (with DD software) can also be used.

For more information about configuration, please refer to the separate operating instructions for ES-PPA and ES-FF.

Safety class: DMT 00 ATEX 075 / II2G Ex ia IIC T6



When installing electrical equipment in hazardous areas, the conditions and provisions specified in the approval documents must be followed. See also Fehler! Verweisquelle konnte nicht gefunden werden.

8.3 Model ES-PPA and ES-FF

The ES-PPA and ES-FF transmitters are FISCO field devices which are connected via a two-wire field bus circuit according to the FISCO model.

The devices can also be connected to intrinsically safe field bus circuits which not correspond to the FISCO model. In this case the electrical maximum values (U_i , I_i , P_i , L_i and C_i) must be observed.

Details for the use and operation can be found in separate instruction manual ES-PPA and ES-FF

9 Characteristic values

9.1 Measuring Accuracy

9.1.1 Reference conditions

Water 20°C

9.1.2 Measured error

BGF-S/P ± 2.0 % of actual value acc VDI/VDE 3513-2 (qG=50%) for local display
Additional inaccuracy for: ES transmitter = ± 0.2 %

9.1.3 Repeatability

± 0.8 % of full scale

9.2 Influence of ambient temperature

1. Without electrical equipment and with limit switches without influence
2. With ES transmitter: ± 0.5 % / 10 K reference temperature 22°C

9.3 Influence of fluid temperature

Deviations in fluid temperature from the temperature observed during calibration can result in a proportional display fault because of the corresponding change in density. Changes in viscosity cause a non-linear display fault..

10 Conditions of use

The VDI/VDE guidelines 3513, Sheet 3, must be observed. The meter is suitable for:

- 1) Liquids with sufficient flow ability which are free of solids, do not bond and do not tend to settle.
- 2) Gases with linear flow behavior and an adequate inlet pressure.

Viscosity specifications ≥ 1 mPas cannot be considered for calibration.

10.1 Installation conditions

Vertical or horizontal installation, according to the direction of flow specified in the order.



For horizontal installation, make sure the indicator unit is not pointing upwards. This is to prevent water lodging on the glass window and entering the device under the protective shroud of the housing.

The limit values for temperature and air humidity at the mounting location must be maintained. Avoid corrosive atmospheres. If this cannot be avoided, ventilation must be installed.

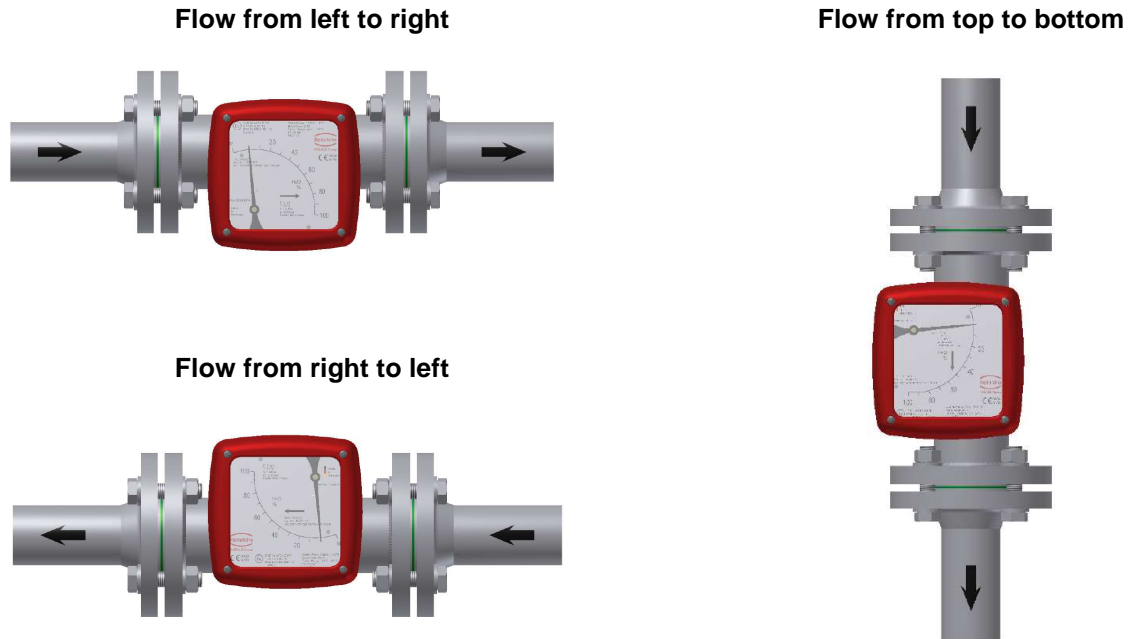


Please make sure that there is adequate clearance from parts that might cause magnetic interferences such as solenoid valves and ferromagnetic components like steel brackets/supports. We recommend that the minimum lateral distance between two adjacently mounted devices be **300 mm**. The devices can be mounted close together if vertically offset by one device length. The minimum lateral clearance for interfering steel parts should be **200 mm**. In case of doubt, check the interference by moving the device back and forth in the selected distance by about 200 mm and testing whether the pointer position changes.

Select the mounting location so as to enable a reliable reading of the scale values. Please take note as well of the space requirement for any possible disassembly of the device.

As a rule, inlet and outlet sections in front of and behind the device are unnecessary if the medium has a linear flow profile. Avoid mounting accessories converging on one side in front of the device. However, if this is indispensable maintain a minimum device length of 250 mm as an inlet section.

The nominal size of the pipes to be connected must correspond to that of the meter. Avoid fittings converging on one side directly in front of the device. As a rule, install valves behind the measuring equipment if there are gases involved.



10.1.1 Mounting/start-up

Before installation check whether the measuring body is free from containment. The instrument must be mounted vertically or horizontally according to the ordered confirmed flow direction.

The nominal size of the device and the process pipes must be identical. The pressure ratings and, hence, the dimensions of the flanges must correspond. The surface roughness of the flange sealing surface must be suitable for the prescribed gaskets.

Please check whether possible accessories like spring stops, gas/viscous-type damping sets are still correctly sitting on the flange. Check whether the mounting clearance between the flanges of the pipes corresponds to the assembly dimension of the device plus two gaskets. To achieve stress-free mounting, the flanges of the pipes must be aligned parallel to each other.

Use connecting bolts and gaskets in the prescribed dimensions. The gaskets must be suitable for the operating pressure, the temperature and the measured medium. With PTFE-coated devices, use gaskets whose interior and exterior diameter correspond to the sealing strip of the device.

Tighten the screws crosswise so that the process connections are tight. See to the tightening torques of screws especially with PTFE-coated devices.

The maximum torques for PTFE-coated devices are:

DN15/DN25 = 14 Nm/DN50 = 25 Nm/DN80 = 35 Nm/DN100 = 42 Nm (following VDI/VDE Guideline 3513).

Please check whether the pipe is adequately stable mounted so that vibration or swinging of the device can be excluded.

Do not use any mounting parts made of steel directly on the device.

When gas is used as the medium, pay special attention to the position of any adjusting valves (e.g. special option). If the device is calibrated to more than 1.013 bars absolute pressure, the valve is usually installed behind the flow meter. At 1.013 bars absolute pressure (free exhaust) install it in front of the device.

If there is risk of dirt or solid matter penetrating the process pipes, flush them beforehand so that these materials do not stick in the device. Ferromagnetic solid matter such as spatter can lead to the breakdown of the device. If these materials cannot be excluded during normal operating conditions, mount a magnetic filter (accessory) in front of the device.

10.1.1.1 Liquid Measurement / start up



When using liquids, flush to avoid a surge of gas bubbles. Basically avoid activation of solenoid valves to prevent the measuring body from rocketing upwards. In general water hammers must be avoided to prevent measuring body from damages.

10.1.1.2 Gas measurement / start up



When using gases, slowly increase the operating pressure. At the same time, vary the operating pressure through a setting valve so that the measuring body will not be exposed by any flow hammer - otherwise this would damage the measuring element.

10.1.2 Device settings

The measuring equipment is delivered ready for operation according to your order specifications. **The limit transducers** are set to the desired values. If you have submitted no requirements, the basic setting for

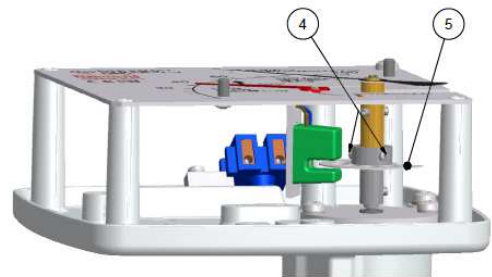
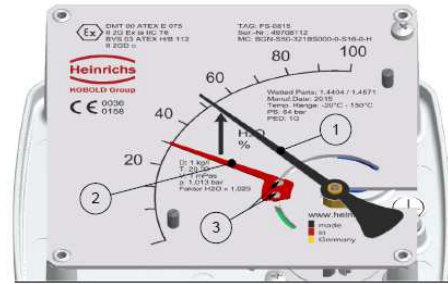
- 1 switch: **Minimum contact switching point at 10% of descending flow (damped/closed-circuit principle).**
- 2 switches: **Minimum contact switching point at 10% of descending flow and maximum contact switching point at 90% of ascending flow.**

10.1.3 Adjusting the switch point for the inductive limit switch KEI

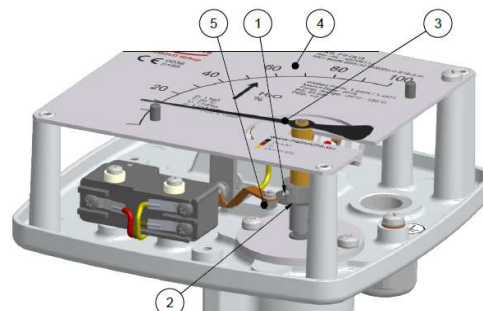
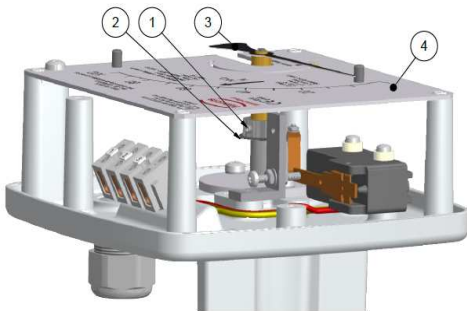
The inductive contact can be adjusted via a limit switch indicator (2) located at the front side of the scale

- 1) unscrew **4 screws** of the front cover and lift off the cover
- 2) **!! do not remove the scale (4) !!**
- 3) unfasten 2 **locking screws (3)** of the red **limit switch indicator (2)**
- 4) move the red switch indicator to the desired switch point on the scale and tighten the locking screws (3) again
- 5) mount the cover and tighten it's four screws again

- 1 Pointer
- 2 Limit switch indicator (fig. MIN)
- 3 Limit switch indicator locking screws
- 4 Locking screw switching disc
- 5 Switching disc KEI



10.1.4 Adjusting the switch point of the SPDT Micro Switch KEM



KEM1 and KEM2 limit switches do not have limit switch indicators. Switch point(s) are normally factory set.

- 1 Locking screws switching disc
- 2 Switching disc
- 3 Pointer
- 4 Scale
- 5 Switching lever

To adjust the switch points use the following procedure:

- 1) Ensure that the supply lines are powerless and will not be switched active during operation.
- 2) unscrew 4 screws of the front cover and remove the cover
- 3) **!! do not remove the scale (4) !!**
- 4) Move the pointer (3) carefully in direction of the desired switch point
- 5) Unfasten the screws (1) of the disc (2) carefully and move the disc ^ towards the lever of the micro switch
- 6) Depending on the switching function (N/O or N/C) the switch must be activated (for N/C) or non activated (for N/O)

NOTE

Due to hysteresis of KEM switches they must not be used for ranges below 250 l/h water

10.1.5 Installation in hazardous areas

10.1.5.1 Without electrical equipment

The basic version of the flow meter is a *non-electrical device* without its own ignition sources and meets DIN EN 13463-1 requirements. It can be used in hazardous areas that require Category 2 equipment.

Marking:



II 2GD c

Reg. No.: BVS 03 ATEX H/B 112

Tech. File Ref. 03-02 X

Since the device does not have its own power sources that would result in a temperature increase, the fluid temperature is decisive for the maximum surface temperature.

When used in potentially explosive dust atmospheres, the device must be cleaned regularly in order to avoid deposits exceeding 5 mm.

10.1.5.2 With built-in limit switches

When the limit switches are installed, the device becomes an electrical assembly and gets a marking in accordance with DIN EN 60079 of built-in electrical limit transducers.

The electrical and thermal data and the special conditions of the EC Type Examination Certificate of the built-in limit transducers must be observed (see also the diagram in Section 10.2.1).

The influence of the fluid temperature on the built-in limit transducers must be observed. The over-temperature of the maximum fluid temperature based on the maximum ambient temperature must be considered with a factor according to the following table:

Nominal size	Factor for standard version	Factor for instruments with the indicator on distance
DN15 and DN25 / 1/2" and 1"	0.2	0.07
DN40 and DN50 / 1,5" and 2"	0.25	0.085
DN80 / 3"	0.3	0.1

Example for built-in limit switch at DN 15 / (1/2") and DN 25 / (1"):

Max. ambient temperature $T_{amb} = 40^{\circ}C$
 Max. fluid temperature $T_m = 120^{\circ}C$
 Factor for brought-in heat $F = 0.2$
 Temperature class T4

$T_{\ddot{u}} =$ Over-temperature
 $T_a =$ Ambient temperature of limit switch

$$T_{\ddot{u}} = T_m - T_{amb} = 120^{\circ}C - 40^{\circ}C = 80^{\circ}C$$

$$T_a = T_{\ddot{u}} * F + T_{amb} = 80^{\circ}C * 0,2 + 40^{\circ}C = 56^{\circ}C$$

In accordance with the tables in the PTB 99 ATEX 2219 X EC Type Examination Certificate, the SJ 3,5-... N... inductive sensor must be operated in the T5 temperature class with an intrinsically safe circuit that does not exceed the maximum values of the Type 3 circuit.

When using the device in hazardous areas, follow the applicable national installation rules.

Example for calculating the max. fluid temperature based on the max. ambient temperature for the built-in sensor Type ES for DN 15/25.

$T_a = 70^{\circ}C$
 $T_{amb} = 60^{\circ}C$
 $F = 0.2$

$$T_m = \left(\frac{T_a - T_{amb}}{F} \right) + T_{amb} = \left(\frac{70^{\circ}C - 60^{\circ}C}{0,2} \right) + 60^{\circ}C = 110^{\circ}C$$

10.1.5.2.1 Marking for the device with built in SJ 3,5...N... limit switch



PTB 99 ATEX 2219 X
 II 2G EEx ia IIC T6
 ZELM 03 ATEX 0128 X
 II 1D Ex iaD 20 T108°C

10.1.5.2.2 Marking for the device with built in electric transmitter ES



DMT 00 ATEX 075
 II2G Ex ia IIC T6

10.1.5.3 Atmospheric conditions

In accordance with EN 1127, a "potentially explosive atmosphere" is defined as a mixture of air and combustible gases, vapour, mist or dust under atmospheric conditions. Such conditions are defined in EN 13463-1, para. 1, with values $T_{atm} = -20\text{ °C}$ to $+60\text{ °C}$ and $P_{atm} = 0.8$ to 1.1 bar. Outside this range, safety parameters for most ignition sources are not available.

Usually, variable-area flow meters operate under operating conditions outside the atmospheric conditions of 0.8 to 1.1 bar. Irrespective of the zone classification – safety parameters of explosion protection – are basically not applicable to the inside of the measuring tube.



Therefore operation with combustible products is only allowed if a potentially explosive air mixture is not formed inside the flow meter. Where this condition are not met, the operator will need to assess the ignition hazard in each individual case and give due consideration to existing parameters (e.g. pressure, temperature, process product, materials of construction for the measuring tube).

10.1.5.4 Earthing of the instrument

In variable-area flow meters, in principal it is possible that through the flow of non-conductive liquids a charge separation occur inside the measuring tube. A dissipation of such charge carriers from the metal flow tube through permanent ground connection must be ensured.

If grounding cannot be made via the process connections (e.g. on plastic process connections or undefined connections), the flow meter must be connected to the local grounding cable. potential via a separate ground cable .

10.2 Ambient conditions

10.2.1 Ambient temperature ranges

Without electrical accessories:

-40°C to +80°C

With limit switches:

-40 °C to +65°C

With ES signal output:

-40°C to +70°C

For the hazardous area version, take note of the maximum ambient temperatures depending on the temperature class as specified on the Type Examination Certificate.

10.2.2 Storage temperature

The storage temperatures are identical to the ambient temperature ranges.

10.2.3 Climatic category

Weather-protected and/or unheated locations, class C according to IEC 654 Part 1

10.2.4 Degree of protection

IP 65 (Aluminum indicator unit)

IP 67 (Stainless steel indicator unit)

10.2.5 Shock resistance/vibration resistance

The meter should be protected from extreme shocks and vibrations, which could cause damage.

10.2.6 Electromagnetic compatibility

EN 61000-6-2:2011 Störfestigkeit Industriebereich / immunity industrial environment

EN 61000-6-3:2011 Störaussendung Wohnbereich / emission residential, commercial

EN 55011:2011 Gruppe 1, Klasse B , Funkstörungen / Group 1 Class B , ISM ratio-frequency equipment

EN61326-1:2013 EMV-Anforderungen / EMC requirements

NAMUR recommendation NE 21

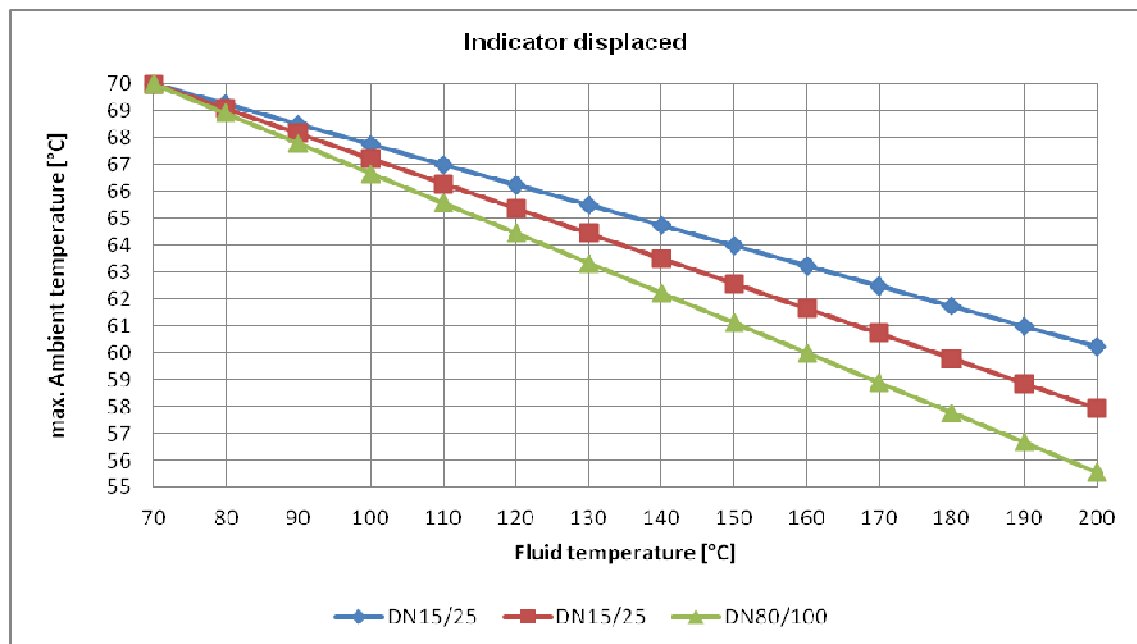
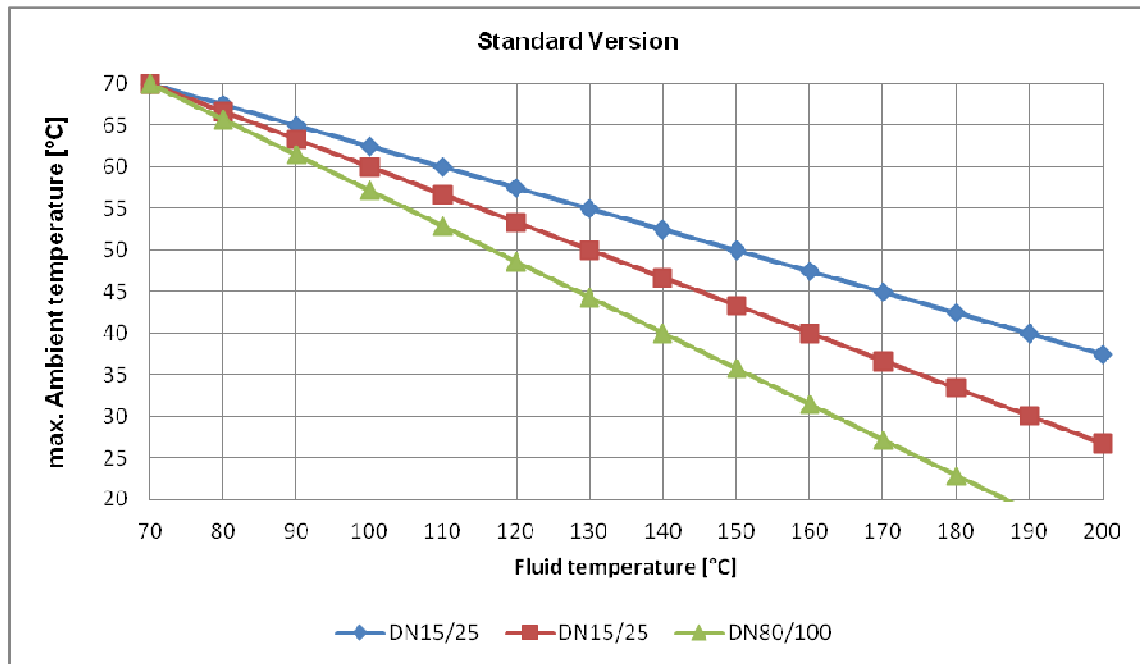
10.3 Fluid conditions

10.3.1 Fluid temperature ranges

Model	Fitting Material	Measuring body Material	Fluid-Temperature
BGF-S	st.st.	st.st.	-40°C up to 200°C
BGF-S	st.st.	PTFE	-20°C up to 125°C
BGF-S	st.st.	PPH	0°C up to 80°C
BGF-P	st.st./PTFE	PTFE	-20°C up to 125°C

The effect of the fluid temperature on the indicator unit and its built-in components must be considered. A pulled-forward indicator unit is necessary if the fluid temperature rises above 200°C.

10.3.2 Diagrams: Max. ambient temperature based on the fluid temperature for the ES



10.3.3 Fluid pressure limit

Standard version: BGF-S DN 15/25/40/50/80 PN 40
 BGF-P DN 15/25/50/80 PN 16

Special version: BGF-S up to PN 400

10.3.4 Inlet and outlet sections

Inlet and outlet sections are not required for a linear flow profile of the fluid. For an extremely non-linear flow profile (e.g. shut-off/control valves are located in front of the meter), we recommend an inlet section with a mounting length of 250 mm (see also guidelines in accordance with VDI/VDE 3513).

10.3.5 Physical state

Liquid or gaseous

10.3.6 Density

Liquids: up to 2.0 kg/l
 Gases: no restrictions

10.3.7 Viscosity

Cannot be considered for the calibration.

10.3.8 Pressure (for gas measurement)

The measured values only apply to the calibrated fluid data stated on the scale. Any change or deviation in pressure causes a display fault in gases. Viscosity factors cannot be considered by the system.

10.3.9 Pressure Drop

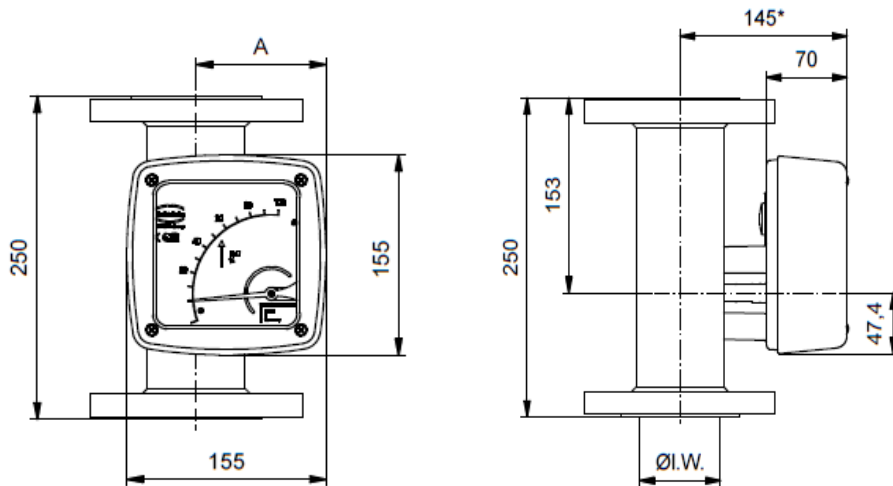
Pressure loss: Depends on the device size and the measuring range (see Measuring range chart).

11 Construction details

11.1 Type of construction / dimensions

11.1.1 Aluminum indicator housing

11.1.1.1 Version with flange connection

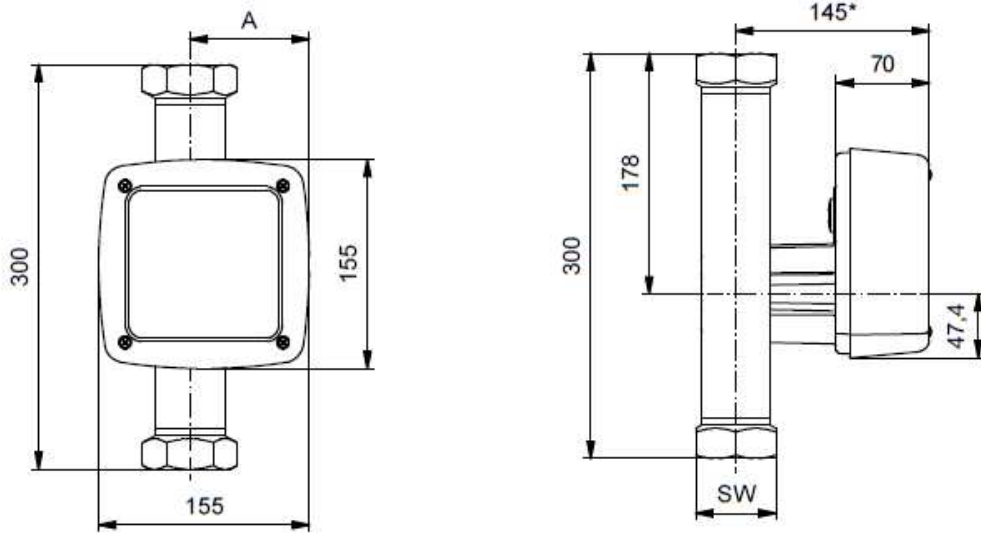


Dimensions:

Fitting	DN / ASME	PN / CL	Ø I.W. (mm)	A (mm)
S15	15 / 1/2"	40 / (150/300)	26	77,0
S25	25 / 1"	40 / (150/300)	32	80,1
S40	40 / 1 1/2"	40 / (150/300)	46	87,9
S50	50 / 2"	40 / (150/300)	70	100,9
S80	80 / 3"	40 / (150/300)	102	117,4

* =+100 mm for indicator on distance

11.1.1.2 Version with threaded connection

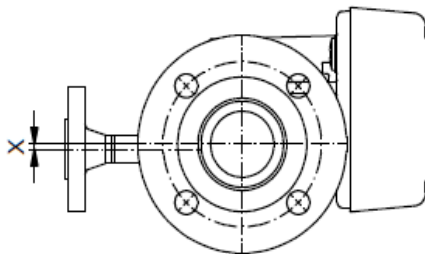
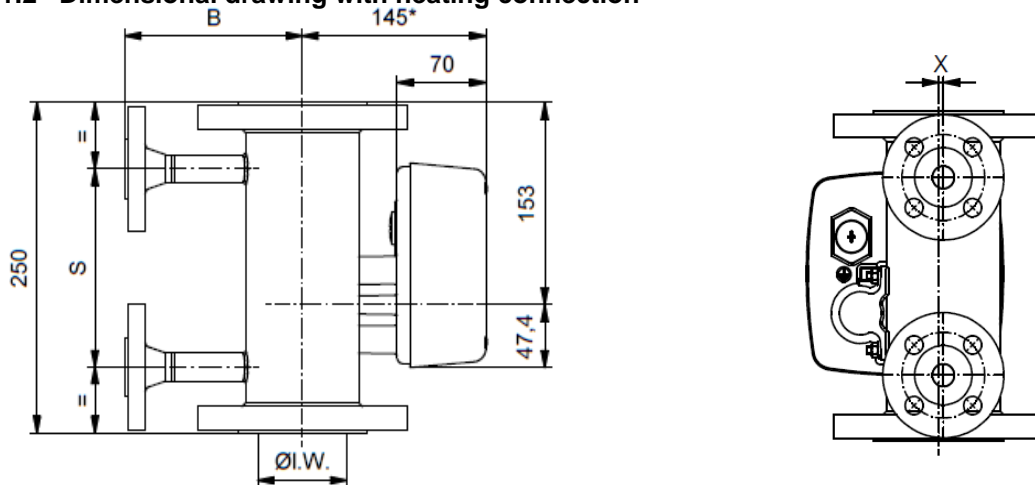


Dimensions:

Fitting	NPT(f) / G(f) (in)	PN / CL	SW	A (mm)
S15	1/4-3/8-1/2-3/4	40 / 300	36	77,0
S25	1/4-3/8-1/2-3/4	40 / 300	36	80,1
S40	3/4-1-1 1/4	40 / 300	60	87,9
S50	1 1/4-1 1/2-2	40 / 300	80	100,9

* =+100 mm for indicator on distance

11.1.2 Dimensional drawing with heating connection



DN / ASME	PN / CL	B (Flange) (mm)	B (Ermeto) (mm)	S (mm)	X (mm)
15 / 1/2"	40 / (150/300)	110	53	150	3,0
25 / 1"	40 / (150/300)	110	58,5	150	4,9
40 / 1 1/2"	40 / (150/300)	130	63	150	2,65
50 / 2"	16 / (150/300)	140	77,5	150	3,5
80 / 3"	16 / (150/300)	160	93,5	150	4,5

* =+100 mm for indicator on distance

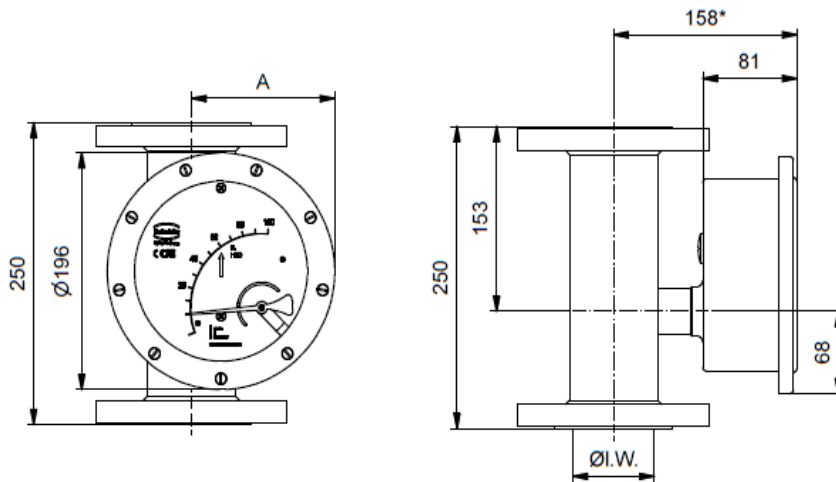
Connections for the heating jacket

Pipe for	Ermeto 12 mm	
Thread	1/2" NPT(f)	
Flanges acc.. DIN/EN	DN15 or DN25 ¹⁾	PN40
Flanges acc. ASME	1/2"	150lbs

¹⁾ Flanges DN25 - special version.

11.1.3 Indicator housing made of stainless steel

11.1.3.1 Version with flange connection

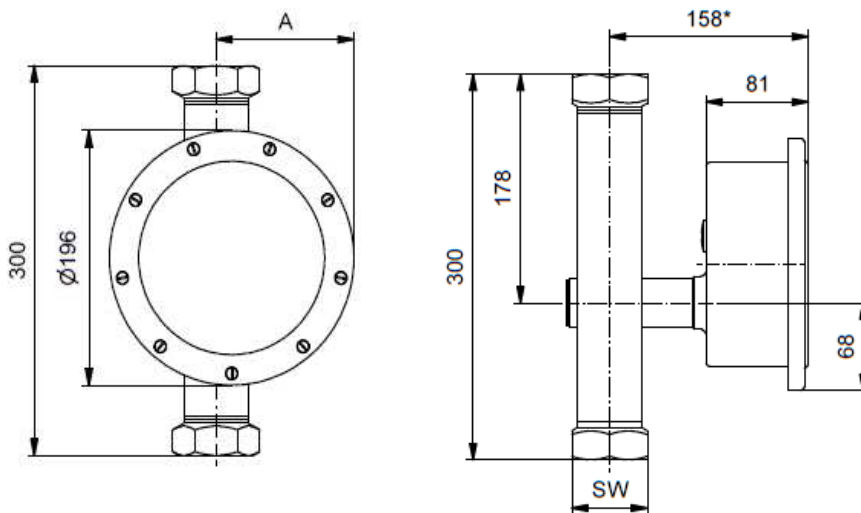


Dimensions

Fitting	DN / ASME	PN / CL	Ø I.W. (mm)	A (mm)
S15	15 / 1/2"	40 / (150/300)	26	99,5
S25	25 / 1"	40 / (150/300)	32	102,6
S40	40 / 1 1/2"	40 / (150/300)	46	110,4
S50	50 / 2"	40 / (150/300)	70	123,4
S80	80 / 3"	40 / (150/300)	102	139,7

* =+100 mm for indicator on distance

11.1.3.2 Version with threaded connection



Dimensions:

Fitting	NPT(f) / G(f) (in)	PN / CL	SW	A (mm)
S15	1/4-3/8-1/2-3/4	40 / 300	36	99,5
S25	1/4-3/8-1/2-3/4	40 / 300	36	102,6
S40	3/4-1-1 1/4	40 / 300	60	110,4
S50	1 1/4-1 1/2-2	40 / 300	80	123,4

* =+100 mm for indicator on distance

11.2 Weights

Fitting	Fitting Size DIN EN	Weight (kg)	
		c/w Alum.Indicator	c/w St.st. indicator
S15	DN 15	4,0	4,7
S25	DN 25	5,0	5,7
S40	DN 40	6,9	7,6
S50	DN 50	9,3	10,0
S80	DN 80	12,8	13,5

Fitting	Fitting Size ASME CL 150	Weight (kg)	
		c/w Alum.Indicator	c/w st.st. indicator
S15	¾", 150 lbs, ASME B16.5	3,0	3,7
S25	1", 150 lbs, ASME B16.5	4,2	4,9
S40	1 ½", 150 lbs, ASME B16.5	6,0	6,7
S50	2", 150 lbs, ASME B16.5	7,5	8,2
S80	3", 150 lbs, ASME B16.5	13,0	13,7

Fitting	Fitting Size ASME CL 300	Weight (kg)	
		c/w Alum.Indicator	c/w st.st. indicator
S15	¾", 300 lbs, ASME B16.5	3,4	4,2
S25	1", 300 lbs, ASME B16.5	4,7	5,4
S40	1 ½", 300 lbs, ASME B16.5	6,8	7,5
S50	2", 300 lbs, ASME B16.5	8,5	9,2
S80	3", 300 lbs, ASME B16.5	14,5	15,2

Fitting	Thread NPT(f) / G(f) (in)	Weight (kg)	
		c/w Alum.Indicator	c/w st.st. indicator
S15	1/4-3/8-1/2-3/4	3,0	3,7
S25	1/4-3/8-1/2-3/4	3,2	3,9
S40	3/4-1-1 1/4	4,2	4,9
S50	1 1/4-1 1/2-2	6,1	6,8

Note:

All weights for st.st. fitting with PTFE measuring body.

11.3 Materials

Fitting

Model	Spring	Measuring pipe	Meas.pipe- lining	Flange	Flange lining	Measuring body
BGF – S DN15-DN40	st.st.	st.st.	non	st.st.	non	PTFE / st.st.
BGF – S DN50-80	st.st.	st.st.	non	st.st.	non	PP / PTFE / st.st.
BGF – P DN15-DN40	Hastelloy	st.st.	PTFE	st.st.	PTFE	PTFE / st.st.

Indicator

Model	Base plate	Cover
BGF – S/P	aluminum	aluminum, window safety glass
Optional	st.st.	st.st., window safety glass

Special flanges can be supplied on request.

11.4 Process connection

Fitting	BGF-S	BGF-P
DN 15	PN 40	PN 16
DN 25	PN 40	PN 16
DN 40	PN 40	PN 16
DN 50	PN 40	PN 16
DN 80	PN 40	PN 16

Fitting	BGF-S	BGF-P	BGF-P	BGF-P
ASME ¾" B16.5	150 lbs	300 lbs ¹⁾	150 lbs ²⁾	300 lbs ²⁾
ASME 1" B16.5	150 lbs	300 lbs ¹⁾	150 lbs ²⁾	300 lbs ²⁾
ASME 1 ½" B16.5	150 lbs	300 lbs ¹⁾	150 lbs ²⁾	300 lbs ²⁾
ASME 2" B16.5	150 lbs	300 lbs ¹⁾	150 lbs ²⁾	300 lbs ²⁾
ASME 3" B16.5	150 lbs	300 lbs ¹⁾	150 lbs ²⁾	300 lbs ²⁾

¹⁾ Entire unit PN40 ²⁾ Entire unit PN16

Optional available:
Special flanges (e.g. JIS), Food connections (e.g. TriClamp), Weld ends etc.

Special versions also for higher pressure ratings available.

11.5 Magnetic filter

When dealing with flow media with magnetic particles, the installation of a magnetic filter can relief. The mounting must be carried out at the inlet of the flow meter.

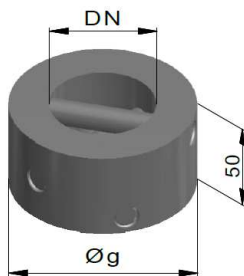
To protect both magnetic filter types, MF-S (stainless steel) and MF-P/S (PTFE/stainless steel), from corrosion, encapsulated permanent magnets are laid out in spiral form. The spiral mounting produces optimum effect at small pressure loss.

The filter can be supplied with groove and/ or ring joint*), projection or return*), other standards or special connections according to customer wishes.

* only st.st. version

Dimensions:

DN	Ø g (mm)
15	45
25	68
40	88
50	102
65	122
80	138



11.6 Electrical connection

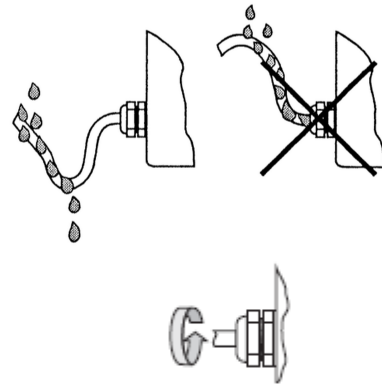
Wiring

To connect the power supply, remove the indicator cover, insert the connector cable into the cable gland and attach it to the terminals according to the terminal diagram. Tighten the cable gland securely, remount the indicator cover and close it tightly.

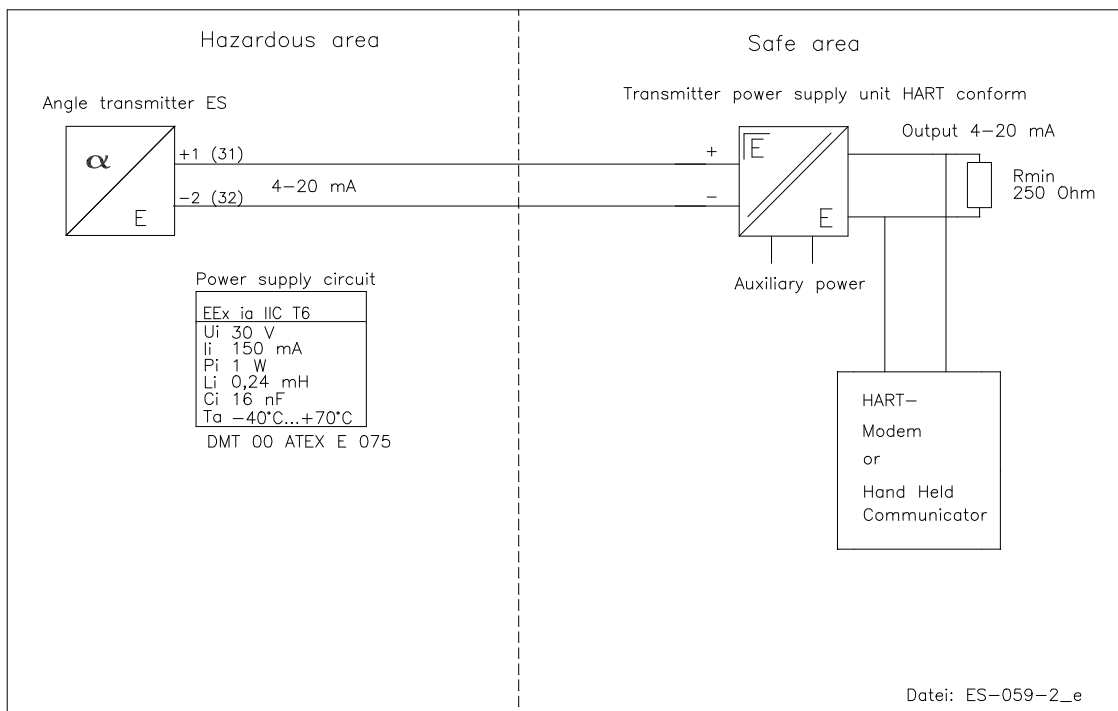


Please observe the following wiring instruction carefully.(Improper wiring will cause loss of guarantee)

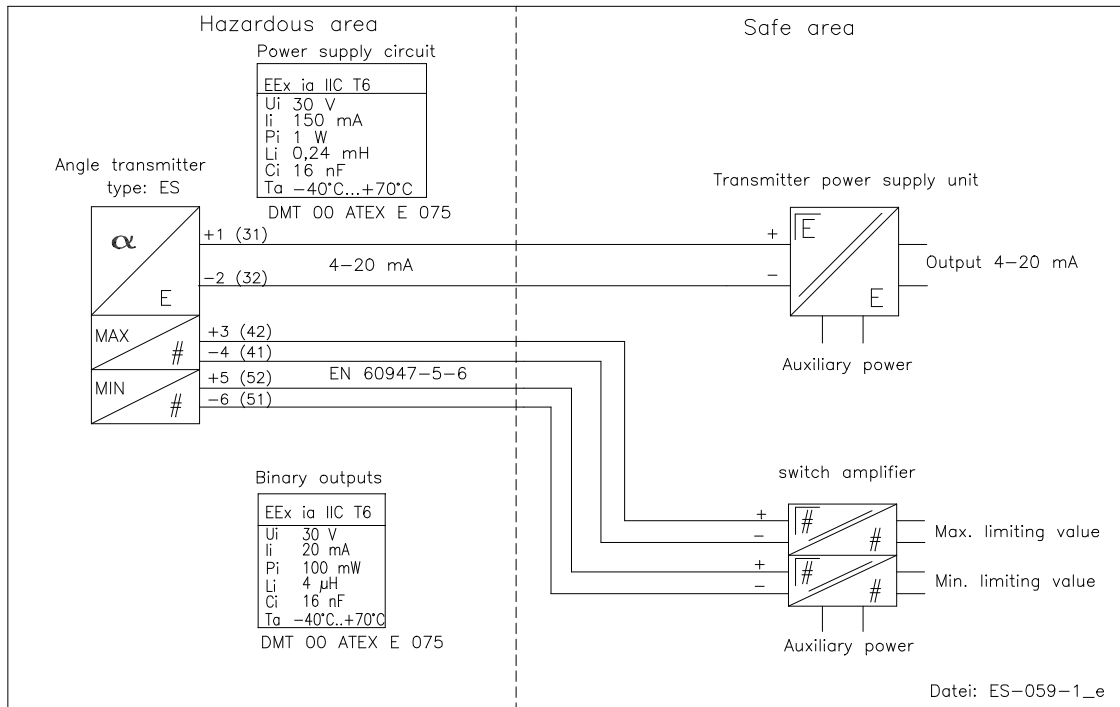
- Cable glands are not part of the delivery
- Customer used cable glands must fit to the specified cable gland thread
- The cable gland must fit to the diameter of the cable
- The cable must form a pig tale in front of the gland to avoid water ingress - see sketch on the right
- Cable gland must not point upward
- The delivered cable gland connection sealing screw - delivered with instruments with no electrical output signals - must not be removed
- The sealing of the cable glands must correspond with the instructions of the original cable gland manufacturer. Wrongly or incorrect tightened cable glands will cause water ingress into the indicator housing



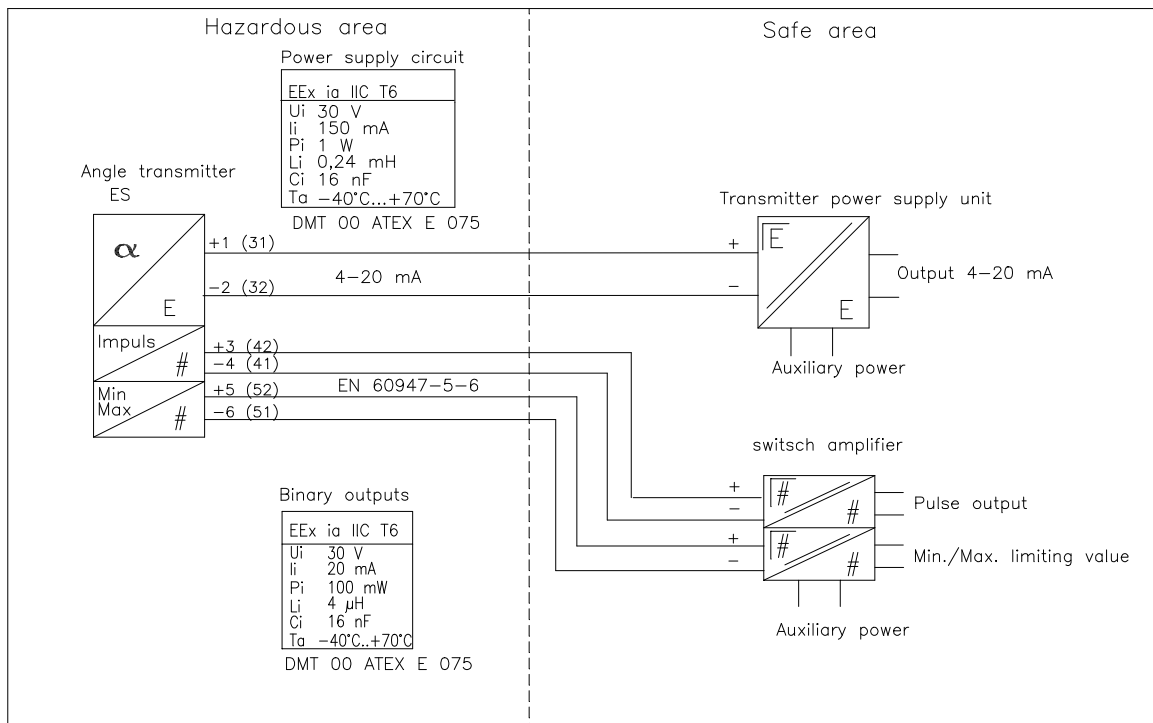
11.6.1 Wiring diagram for ES transmitter (signal output 4-20 mA with HART®)



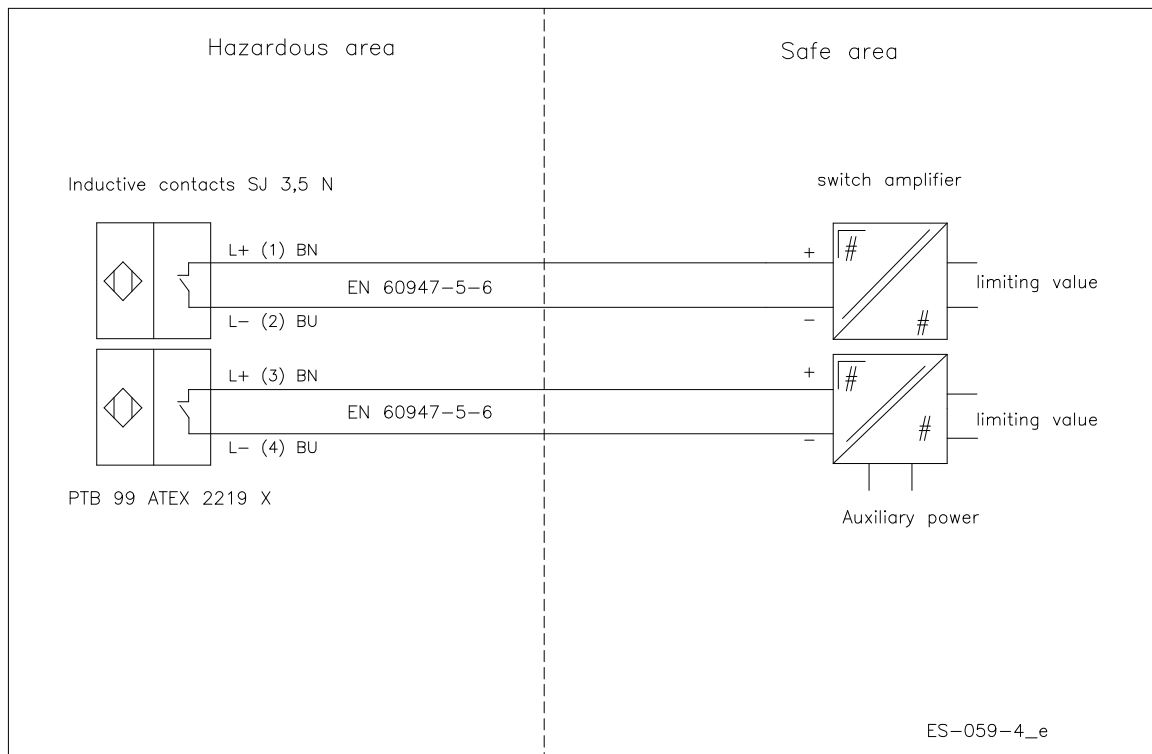
11.6.2 Wiring diagram for ES transmitter with 4-20 mA output and 2 limit switches



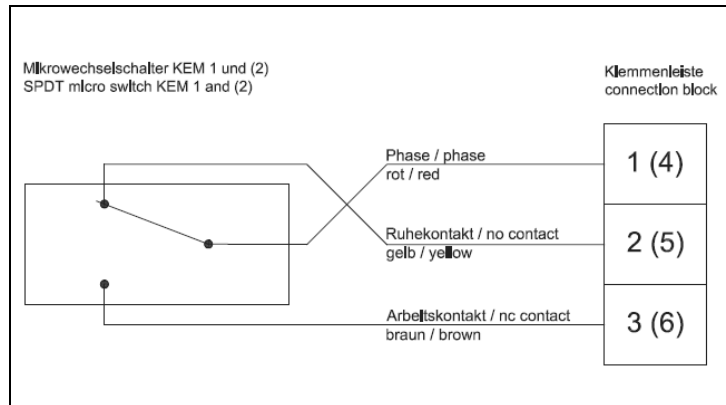
11.6.3 Wiring diagram for ES transmitter with 4-20 mA output, pulse output and limit switch



11.6.4 Wiring diagram for inductive limit switches KEI



11.6.5 Wiring diagram for KEM 1 and KEM 2 micro switches



11.6.6 Devices with unconnected cable end

For simple electrical connection, especially at the units with stainless steel display housing, the device can be supplied with a cable end (silicon cable). The standard cable length is 2.5 m. The cable has 7 wires, yellow / green for earth and 6 black wires with white numbers 1-6. The function of the wires (1-6) corresponds to the terminal numbers.

If the connection is made in a hazardous area, the cable must be connected in a housing that meets the requirements according to IEC EN 60079-14.

12 Indicator unit

- Analog indicator approx. 90° with pointer
- Customized product scale
double scale possible (please tell process data)
- ES transmitter with freely programmable user interface
- Parameters may be changed based on the ES Operating Instructions.

13 Power supply

see Electrical connection

14 CE marking

The measuring system meets the statutory requirements of the following EU directives: Directive 94/9/EC (Equipment and Protective Systems for Use in Potentially Explosive Atmospheres), the Electromagnetic Compatibility (EMC) Directive 89/336/EEC and the Pressure Equipment Directive 97/23/EC.

Heinrichs Messtechnik confirms compliance with the directives by attaching the CE mark.

15 Order information

Please include the following information in your order: Product data, specific weight, temperature, pressure, viscosity, material design, connection size, measuring range, desired accessories, required approvals and material certificates. **See Device selection by model code.**

16 Standards and directives, certificates and approvals

See EU Declaration of Conformity Point 25

17 Maintenance

The device requires no maintenance if used according to its intended purpose. However, if cleaning is necessary to remove dirt from the measuring ring or the float, take note of the following aspects:

- Please take note that, with devices with built-in electrical equipment, removing the indicator cover restricts the EMC protection.
- Before removing a device, make sure that the pipeline is free from the product, is pressureless and has cooled down.
- Fittings with the insides coated may be carefully cleaned after removal with a brush and the appropriate cleansing agent. Carefully clean the float from possible coating.



- **Attention: do not treat the measuring ring/cone and measuring body with hard objects (see Removing/installing the measuring body / spring).**

- The switch points of the limit switches are adjustable. To do this, remove the indicator cover, unfasten the contact point indicator located on the scale and readjust it. After the adjustment, reattach the bolts of the contact point indicator. Reinstall and tighten the indicator cover.
- The parameterization of the ES is possible and is done via HART®. Please refer to the separate Operating Instructions for the ES.
- The gas and viscous damping cylinders can be checked for dirt (see Installing/removing the damping sets).

18 Installing and removing the resetting spring and the measuring body

The interior structure of the devices differ according to nominal size.

DN 15 (1/2") and DN 25 (1"): To remove the resetting spring, secure the measuring body from turning by using a suitable tool from above. Unscrew the lock nuts from below and remove the spring. The measuring body can be pulled out upwards after removing the bottom guide.

DN 40/DN 50 (1,5"/2") and DN 80 (3"): To remove the return spring, press the cross-bar downwards from both lateral locking brackets. Since the locking brackets are compressed together beneath the bar, some force must be applied. After the bar is removed, the spring can now be taken out from above. To disassemble the measuring body, secure it from turning by using a suitable tool, remove the nuts and guide brackets from below and then pull the measuring body upwards.

Proceed in reverse order when reinstalling these parts.

19 Trouble shooting

Diagnosis	Possible reason	Corrective action
Indicator window steamed	Indicator cover damaged Indicator sealing damaged Cable gland not tightened high temperature differences aggressive ambient atmosphere	- change indicator cover - tighten cable gland - indicator with pressure relief - install rinsing connection for N2 gas
Indicator cover not tight	indicator sealing damaged	- change indicator cover - fasten indicator cover screws
Indicator window icy	ambient temperature too low	- install N23 rinsing connection - change to high tem. distance housing
Instrument shows wrong measuring values	- calibration does not meet process conditions pointer de-adjusted	- review operating conditions, on deviations new calibrations from manufacturer is recommended - re-adjust pointer (RP on meas. scale)
No reaction on pointer despite flow	pointer is behind the stopper (RP) magnet body is stucked (pollution)	- remove cover, re-adjust pointer - remove instrument from process and clean magnet body and all inner parts carefully - if sticking parts in the process use of magnet filter recommended

Magnet body is stuck	pollution / residues in the process Measuring pipe damaged Resetting spring broken	- remove instrument from the process and clean carefully - resend the instrument to the manufacturer for evaluation / repair
Pointer indication is pulsating	Inlet pressure too low	- increase inlet pressure, instrument for recalibration back to manufacturer (gases) or - use of instrument with low pressure loss - re-equip with double turbulent flow damping - locate valves, gate valves etc. after the instrument
Electrical equipment e.g. transducer, limit switches without function	wrong wiring / power supply defective el. parts	- check wiring diagram acc. instruction manual - change el. parts (e.g. limit switches) or sent the instrument back to manufacturer
Un-known		Sent the instrument back to the manufacturer and include a detailed failure description

20 Returning devices for repair and service

Note: In accordance with the applicable German waste disposal legislation, the owner/client is responsible for the disposal of special waste and hazardous materials. Consequently, all devices sent to us for repair must be free of any hazardous materials. This also applies to possible hollow spaces and fissures in the devices. If repair is necessary, confirm the above-mentioned item in writing (**please use the form in the Appendix**).

If hazardous materials remain in or on the device after it has been returned, Heinrichs Messtechnik shall be authorized to remove them at the client's expense without further inquiry.

21 Spare parts

The following parts can be ordered as replacement parts:

Group	Description	Info
Indicator	Indicator cover aluminum c/w window/gasket/screws	
	Scale, blank	
	Scale incl. customer operating values	
	Indicator unit(B)-aluminum, c/w. blank-scale	
	Indicator unit(B)-aluminum, c/w. limit switches KEI1 (SJ3,5-N)	
	Indicator unit(B)-aluminum, c/w. limit switches KEI2 (SJ3,5-N)	
	Switching disc for KEI	
	Electrical. transducer ES, 4-20mA, Hart®	
	Indicator unit(B)-aluminum, c/w. el. transmitter ES	
	Bearing unit c/w (B)-standard c/w .axle, bearings and magnets	
	Bearing unit (B) for indicator on distance	
	Pointer unit complete. (standard)	
	Pointer unit complete for el. transducer ES	
	Base plate(B)-aluminum, c/w cover screw for cable entry(standard)	
	Base plate(B)-aluminum, c/w cover screw for cable entry(standard) for indicator on distance	
Cable gland M20x1,5, grey, Polyamide		
Cable gland M20x1,5, blue, Polyamide		
Flow tube	Float st.st. c/w guiding star	on request
	Float st.st. c/w guiding star, and liquid or gas damping system	on request
Mounting sets	Retrofit set for KEI1 (SJ3,5-N)	
	Retrofit set for KEI2 (SJ3,5-N)	

NOTE:

When ordering spare parts please always mention the serial number of the instrument.

If the float is being removed we recommend a new calibration of the instrument always. Without new calibration additional measuring errors must be considered.

For further instruction on spare parts please contact the Heinrichs Messtechnik GmbH service department

22 Exploded views

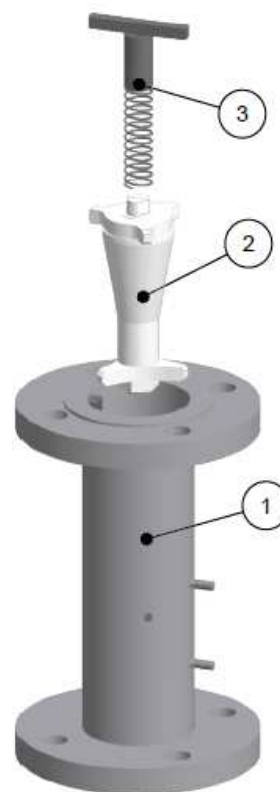
22.1 Fitting with measuring body

Name	Part no.
Fitting	1
Measuring body	2
Resetting spring	3

22.1.1 BGF-.... standard version DN 15-25



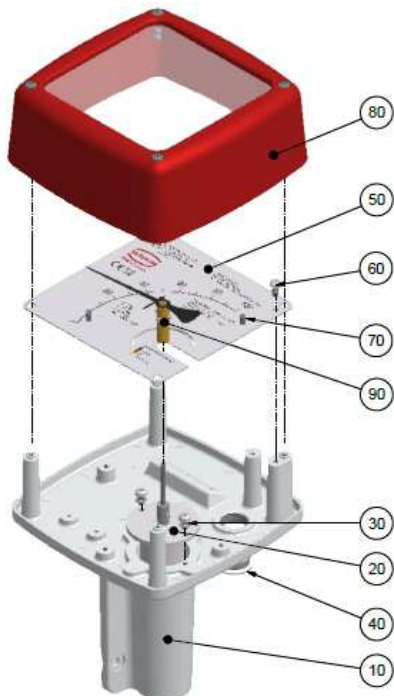
22.1.2 BGF-.... standard version DN 50-80



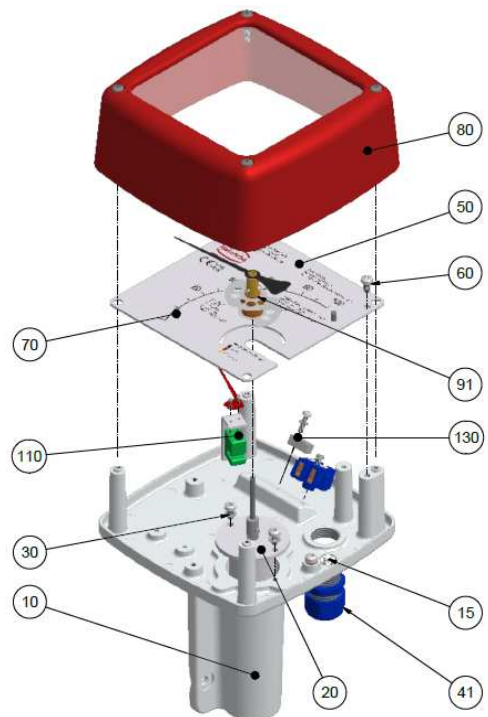
22.2 Indicator unit

Name	Part no.
Indicator base plate 1 x M 20 x 1.5	10
Inner earthing connection	15
Bearing assembly	20
Fixing screws for bearing unit	30
Dummy plug M 20 x 1.5 c/w o.ring	40
Cable gland blue (intrinsically safe) c/w o-ring M20 x 1,5	41
Cable gland grey (ATEX) c/w o-ring M20 x 1,5	42
Scale, blank	50
Fixing screw for the scale	60
Zero-point screw with nut	70
Indicator cover with glass window, gasket, screws	80
Scale pointer	90
Scale pointer c/w 1 switching disc KEI	91
Scale pointer c/w 2 switching discs KEI	92
Scale pointer c/w 1 switching disc KEM	93
Scale pointer c/w 2 switching discs KEM	94
Scale pointer c/w ES position magnet	95
1. SJ 3,5 N limit switch c/w limit value indicator incl. c/w mounting parts	110
1 SPDT micro switch KEM 1 c/w mounting parts	114
2. SJ 3,5 N limit transducer with limit value indicator	120
2 SPDT micro switches KEM 2 c/w mounting parts	124
Distortion lock c/w screw	130
Installation assembly for 1 micro switch KEM 1	131
Installation assembly for 2 micro switches KEM 2	132
ES HART® transmitter c/w fixing screws	140

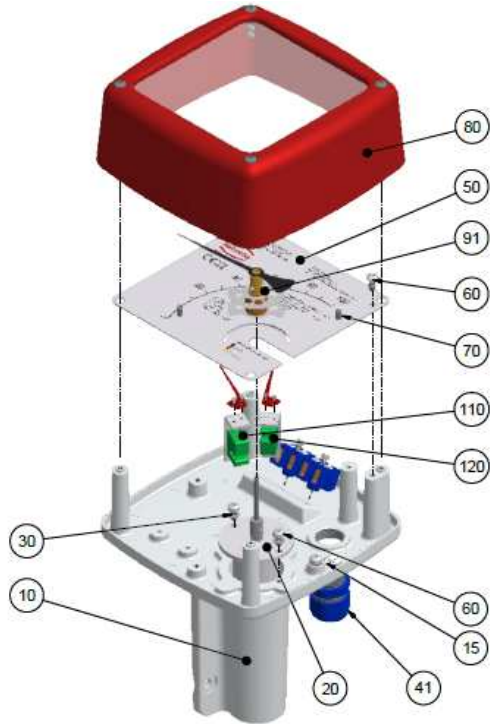
22.2.1 Complete indicator unit, local with scale



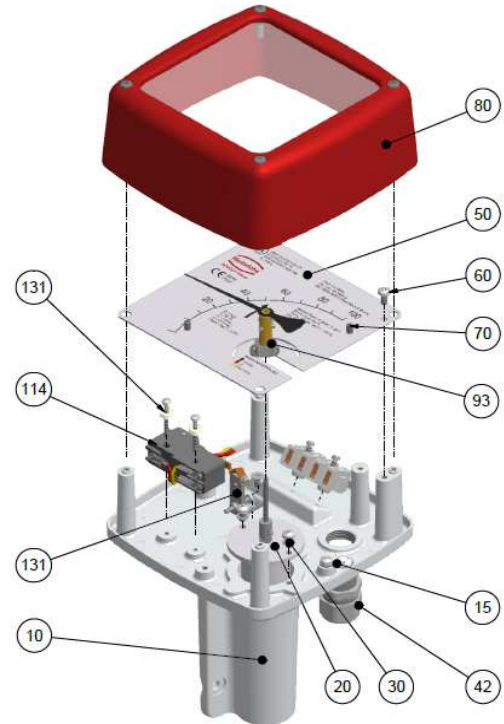
22.2.2 Complete indicator unit with 1 limit switch SJ 3,5 N



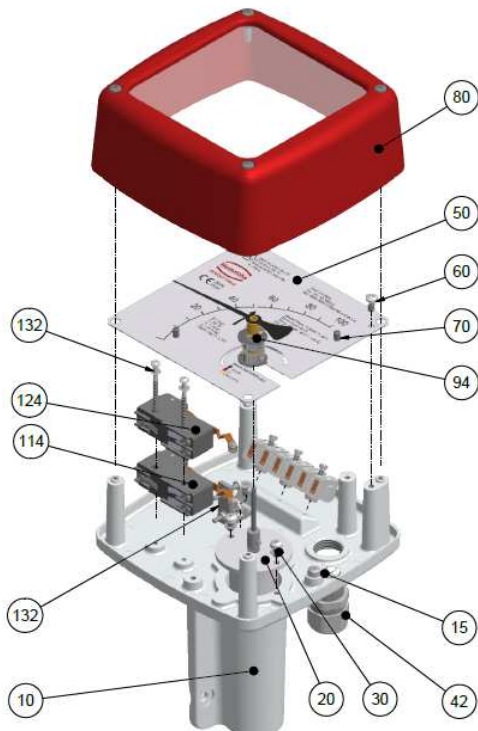
22.2.3 Complete indicator unit with 2 limit switches SJ 3,5 N



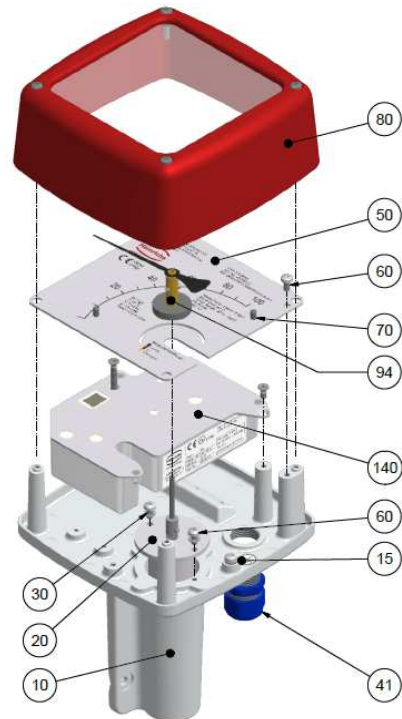
22.2.4 Complete indicator unit with 1 pc SPDT micro switch



22.2.5 Complete Indicator unit with 2 pcs SPDT micro switches KEM



22.2.6 Complete Indicator unit with transmitter ES Ex HART®



22.3 Model Code

BGF -			
		Material	
S		Stainless Steel, process temperature ≤ 350°C	
P		Stainless Steel, Wetted Parts PTFE, process temperature ≤ 125°C, process pressure max. 16 bar (not for size "H5" available)	
		Nominal Fitting-Size	Measuring Range-Code
15	1/2"	Measuring ranges see table	H-L
25	1"	Measuring ranges see table	M-Q
40	1 1/2"	Measuring ranges see table	P-S
50	2"	Measuring ranges see table	Q-U
80	3"	Measuring ranges see table	T-W
(15)	Flange connections		
	305B	DN15 PN40 Form B1 DIN EN 1092-1	203R 1" Class 150 RF ASME B16.5-2003
	3A5B	DN20 PN40 Form B1 DIN EN 1092-1	223R 1" Class 300 RF ASME B16.5-2003
	309B	DN25 PN40 Form B1 DIN EN 1092-1	204R 1 1/4" Class 150 RF ASME B16.5-2003
	309D	DN25 PN40 Form D DIN EN 1092-1	224R 1 1/4" Class 300 RF ASME B16.5-2003
	313B	DN32 PN40 Form B1 DIN EN 1092-1	406R 15A 10K RF JIS B2220
	313D	DN32 PN40 Form D DIN EN 1092-1	407R 15A 16K RF JIS B2220
	201R	1/2" Class 150 RF ASME B16.5-2003 (verringerte Dichtleiste)	406F 15A 10K FF JIS B2220
	221R	1/2" Class 300 RF ASME B16.5-2003 (verringerte Dichtleiste)	407F 15A 16K FF JIS B2220
	202R	3/4" Class 150 RF ASME B16.5-2003	
	222R	3/4" Class 300 RF ASME B16.5-2003	
	Thread connections (installation length: 300mm, float not removable)		
	4000	G1/4" female thread	6030 1/2" NPT(f)
	4010	G3/8" female thread	6040 3/4" NPT(f)
	4020	G1/2" female thread	6832 DN25 TriClamp ISO 2852
	4030	G3/4" female thread	6830 DN25 TriClamp DIN 32676
	6010	1/4" NPT(f)	6630 RD52x1/6" DIN11851
6020	3/8" NPT(f)		
(25)	Flange connections		
	305B	DN15 PN40 Form B1 DIN EN 1092-1 (verringerte Dichtleiste)	204R 1 1/4" Class 150 RF ASME B16.5-2003
	3A5B	DN20 PN40 Form B1 DIN EN 1092-1 (verringerte Dichtleiste)	224R 1 1/4" Class 300 RF ASME B16.5-2003
	309B	DN25 PN40 Form B1 DIN EN 1092-1	205R 1 1/2" Class 150 RF ASME B16.5-2003
	309D	DN25 PN40 Form D DIN EN 1092-1	225R 1 1/2" Class 300 RF ASME B16.5-2003
	313B	DN32 PN40 Form B1 DIN EN 1092-1	416R 25A 10K RF JIS B2220
	313D	DN32 PN40 Form D DIN EN 1092-1	417R 25A 16K RF JIS B2220
	202R	3/4" Class 150 RF ASME B16.5-2003 (verringerte Dichtleiste)	416F 25A 10K FF JIS B2220
	222R	3/4" Class 300 RF ASME B16.5-2003 (verringerte Dichtleiste)	417F 25A 16K FF JIS B2220
	203R	1" Class 150 RF ASME B16.5-2003	
	223R	1" Class 300 RF ASME B16.5-2003	
	Thread connections (installation length: 300mm, float not removable)		
	4000	G1/4" female thread	6030 1/2" NPT(f)
	4010	G3/8" female thread	6040 3/4" NPT(f)
	4020	G1/2" female thread	6842 DN25 TriClamp ISO 2852
	4030	G3/4" female thread	6840 DN25 TriClamp DIN 32676
	6010	1/4" NPT(f)	6640 RD52x1/6" DIN11851
6020	3/8" NPT(f)		
(40)	Flange connections		
	317B	DN40 PN 40 Form B1 DIN EN 1092-1	426R 40A 10K RF JIS B2220
	317D	DN40 PN 40 Form D DIN EN 1092-1	427R 40A 16K RF JIS B2220
	205R	1 1/2" 150 lbs RF ASME B16.5-2003	426F 40A 10K FF JIS B2220
	225R	1 1/2" 300 lbs RF ASME B16.5-2003	427F 40A 16K FF JIS B2220
	Thread connections (installation length: 300mm, float not removable)		
	4030	G3/4" female thread	6060 1-1/4" NPT(f)
	4040	G1" female thread	6862 DN50 TriClamp ISO 2852
	4050	G1-1/4" female thread	6860 DN50 TriClamp DIN 32676
	6040	3/4" NPT(f)	6660 RD78x1/6" DIN 11851
	6050	1" NPT(f)	
(50)	Flange connections		
	321B	DN50 PN40 Form B1 DIN EN 1092-1	207R 2 1/2" Class 150 RF ASME B16.5-2003
	321D	DN50 PN40 Form D DIN EN 1092-1	227R 2 1/2" Class 300 RF ASME B16.5-2003
	325B	DN65 PN16 Form B1 DIN EN 1092-1	431R 50A 10K RF JIS B2220
	325D	DN65 PN16 Form D DIN EN 1092-1	432R 50A 16K RF JIS B2220
	326B	DN65 PN40 Form B1 DIN EN 1092-1	431F 50A 10K FF JIS B2220
	326D	DN65 PN40 Form D DIN EN 1092-1	432F 50A 16K FF JIS B2220

	206R	2" Class 150 RF ASME B16.5-2003		
	226R	2" Class 300 RF ASME B16.5-2003		
	Thread connections (installation length: 300mm, float not removable)			
	4050	G1-1/4" female thread	6060	1-1/4" NPT(f)
	4060	G1-1/2" female thread	6070	1-1/2" NPT(f)
	4070	G2" female thread	6080	2" NPT(f)
	Flange connections			
	330B	DN80 PN16 Form B1 DIN EN 1092-1	209R	3½" Class 150 RF ASME B16.5-2003
	330D	DN80 PN16 Form D DIN EN 1092-1	229R	3½" Class 300 RF ASME B16.5-2003
	331B	DN80 PN40 Form B1 DIN EN 1092-1	441R	50A 16K FF JIS B2220
	331D	DN80 PN40 Form D DIN EN 1092-1	442R	50A 16K FF JIS B2220
	208R	3" Class 150 RF ASME B16.5-2003	441F	50A 16K FF JIS B2220
	228R	3" Class 300 RF ASME B16.5-2003	442F	50A 16K FF JIS B2220
	Measuring ranges (Water 20°C, 1 mPas)			
	H	10 - 100 l/h		
	I	16 - 160 l/h		
	J	25 - 250 l/h		
	K	40 - 400 l/h		
	L	60 - 600 l/h		
	M	100 - 1000 l/h		
	N	160 - 1600 l/h		
	P	250 - 2500 l/h		
	Q	400 - 4000 l/h		
	R	600 - 6000 l/h		
	S	1000 - 10000 l/h		
	T	1600 - 16000 l/h		
	U	2500 - 25000 l/h		
	V	4000 - 40000 l/h		
	W	6000 - 60000 l/h		
	Magnet bearer			
	K	Standard PP bis 80 °C		
	P	81 - 125 °C PTFE		
	S	stainless steel		
	Flow direction			
	O	Top to bottom		
	L	Left to right		
	R	Right to left		
	U	Bottom to top		
	Heating / cooling			
	0	without heating / Cooling		
	1	Heating / cooling, connection EO12 mm		(stainless steel)
	2	Heating / cooling, connection DN15, PN 40		(stainless steel)
	3	Heating / cooling, connection ½" Class 150 ANSI		(stainless steel)
	4	Heating / cooling, connection ½" NPT (F)		(stainless steel)
	-	Certificates		
	0	without		
	1	Certificate of compliance with the order 2.1		
	2	Test report 2.2		
	B	Inspection certificate 3.1 with material certificate (DIN EN 10204:2004)		
	C	Inspection certificate 3.2 with material certificate (DIN EN 10204:2004)		
	N	Material certificate NACE		
	-	Display		
	S	Standard display housing, Process temperature ≤ 150°C for electrical output, Process temperature ≤ 200°C for local indication		
	V	Standard display housing forward advanced, process temperature ≤ 350°C		
	E	Stainless steel display housing IP67, working temperature ≤ 150°C		
	H	Stainless steel display housing IP67 forward advanced, process temperature ≤ 350°C		
	T	Standard display housing with pressure compensation, Process temperature ≤ 150°C for electrical output, Process temperature ≤ 200°C for local indication		
	W	Standard display housing with pressure compensation forward advanced, process temperature ≤ 350°C		
	Scale			
	1	% -Scale (Water)		
	2	Measuring range-Scale (Water)		
	F	Double-scale (acc. customer preference)		
	4	% -Scale (Media)		
	5	Measuring range-Scale (Media)		
	Switches / electrical output			
	0	ohne		

1	1 x inductive switch, Type SJ 3,5 N
2	2 x inductive switch, Type SJ 3,5 N
3	1 x inductive switch, Type SJ 3,5 SN (safety design)
4	2 x inductive switch, Type SJ 3,5 SN (safety design)
6	Transmitter ES with HART-protocol, 4-20 mA, EEx ia
7	Transmitter ES with HART-protocol, 4-20 mA, EEx ia / 2x NAMUR-switch
8	Transmitter ES with HART-protocol, 4-20 mA, EEx ia / 1x NAMUR-switch, 1x pulse output
9	Transmitter ES with Profibus PA, EEx ia
C	1 x microswitch
D	2 x microswitch
E	1 x inductive switch, Type SB 3,5-E2, three wire
F	2 x inductive switch, Type SB 3,5-E2, three wire
G	1 x induktiver Grenzkontakt NCB2-12GM40-Z0
I	Transmitter ES with HART-protocol and counter module
K	Transmitter ES with Foundation Fieldbus
-	Accessories
0	without
X	special (separate specification necessary)
-	Design
H	Heinrichs
K	Kobold

23 Decontamination certificate for device cleaning

Company: Name:

Street: Tel.-Nr.:

PLZ / postal code..... / Town:

The enclosed Flow Meter Model

Comm.-Nr. / Ser.-Nr.:	
------------------------------	--

has been used with media :.....

As the used media is :

- harmless
- toxic
- harmful
- caustic
- radioactive
- explosive
- oxidizing
- biological harmful
- other

we have doen the following things:

- all cavities have been tested to be free the used process media
- all cavities are rinsed and neutralized
- all sealing surfaces and wetted parts have been cleaned
- instrument housing and surfaces have been completely cleaned


We herewith confirm that due to the re-delivery of the above mentioned instrument there is no danger for human and environment which may be caused by residues of the process media.

Date:

Signature:

Stamp

24 EC Type Examination Certificate



Translation

EC-Type Examination Certificate

- Directive 94/9/EC -
Equipment and protective systems intended for use
in potentially explosive atmospheres

DMT 00 ATEX E 075

Equipment: Electronic transmitter type ES or ES-PPA

Manufacturer: Bopp & Reuther Heinrichs Messtechnik
Josef Heinrichs GmbH & Co. Messtechnik KG

Address: D 50933 Köln

(7) The design and construction of this equipment and any acceptable variation thereto are specified in the schedule to this type examination certificate.

(8) The certification body of Deutsche Montan Technologie GmbH, notified body no. 0158 in accordance with Article 9 of the Directive 94/9/EC of the European Parliament and the Council of 23 March 1994, certifies that this equipment has been found to comply with the Essential Health and Safety Requirements relating to the design and construction of equipment and protective systems intended for use in potentially explosive atmospheres, given in Annex II to the Directive.

The examination and test results are recorded in the test and assessment report BVS PP 00.2071 EG.


(9) The Essential Health and Safety Requirements are assured by compliance with:

EN 50014:1997+A1-A2 General requirements
EN 50020:1994 Intrinsic safety 'i'

(10) If the sign "X" is placed after the certificate number, it indicates that the equipment is subject to special conditions for safe use specified in the schedule to this certificate.

(11) This EC-Type Examination Certificate relates only to the design and construction of the specified equipment. Further requirements of Directive 94/9/EC apply to the manufacture and placing on the market of this equipment.

(12) The marking of the equipment shall include the following:

 **Ex II 2G EEx ia IIC T6**

Deutsche Montan Technologie GmbH
Essen, dated 31. Oktober 2000


Signed: Jockers

Signed: Dill

DMT-Certification body

Head of special services unit

page 1 of 3 to DMT 00 ATEX E 075
This certificate may only be reproduced in its entirety and without change
Am Technologiepark 1, 45307 Essen, Telefon (020)172-1416, Telefax (020)172-1716



Appendix to

EC-Type Examination Certificate

DMT 00 ATEX E 075

(13)

(14)

(15) 15.1 Subject and type
Electronic transmitter type ES or ES-PPA

15.2 Description
The electronic transmitter serves for the recording of the position or angular position of a magnet at rotameters.
The completely encapsulated electronic device of the transmitter is mounted in a light alloy housing together with corresponding terminals for the connection of the intrinsically safe circuits. The transmitter is provided to be installed in a housing with a min. degree of protection IP 20.

15.3 Parameters

15.3.1 type ES	
15.3.1.1 Input circuit (terminals 1 and 2)	
voltage	Ui DC 30 V
current	Ii 150 mA
power	Pi 1 W
effective internal inductance	Li 0,24 mH
effective internal capacitance	Ci 16 nF

15.3.1.2 Binary outputs 1 and 2; potentially free optocoupler circuits (terminals 3 - 4 and 5 - 6) each

voltage	Ui DC 30 V
current	Ii 20 mA
power	Pi 100 mW
effective internal inductance	Li 4 µH
effective internal capacitance	Ci 16 nF





15.3.2 type ES-PPA Input: circuit (terminals 7 and 8) for connection with a circuit in accordance with FISCO model (PTB report no. PTBW-53)

voltage	Ui DC 25 V
current	Ii 280 mA
power	Pi 2 W
effective internal inductance	Li negligible
effective internal capacitance	Ci negligible

15.3.3 ambient temperature range

Ta - 40 °C up to + 70 °C

page 2 of 3 to DMT 00 ATEX E 075
This certificate may only be reproduced in its entirety and without change
Am Technologiepark 1, 45307 Essen, Telefon (020)172-1416, Telefax (020)172-1716

<div style="display: flex; justify-content: space-between; align-items: center;">   </div> <h3 style="text-align: center;">1st Supplement</h3> <p style="text-align: center;">(Supplement in accordance with Directive 94/9/EC Annex III number 6)</p> <h4 style="text-align: center;">to the EC-Type Examination Certificate DMT 00 ATEX E 075</h4> <p>Equipment: Electronic transmitter type ES, ES-PPA or ES-FF Manufacturer: Heinrichs Messtechnik GmbH Address: 50739 Cologne, Germany</p> <p>Description The electronic transmitters type ES and ES-PPA have been assessed in acc. with the standards EN 60079-1** and a new version is available, type ES-FF.</p> <p>The Essential Health and Safety Requirements of the modified equipment are assured by compliance with: EN 60079-0:2006 General requirements EN 60079-1:2007 Intrinsic safety 'i' EN 60079-27:2006 Fieldbus systems FISCO</p> <p>The marking of the equipment shall include the following: </p>	<div style="display: flex; justify-content: space-between; align-items: center;">  </div> <p>2 Type ES-PPA Input circuit (terminals 7 and 8)</p> <p>2.1 for use as field device in a fieldbus system in accordance with FISCO with Voltage U_i DC 17.5 V</p> <p>2.2 or for connection to a circuit with the following max. values Voltage U_i DC 32 V Current I_i 280 mA Power P_i 2 W</p> <p>The effective internal values are: Effective internal inductance L_i <10 µH Effective internal capacitance C_i <5 nF</p> <p>3 Type ES-FF Fieldbus circuit (terminals 9 and 10)</p> <p>3.1 for use as field device in a fieldbus system in accordance with FISCO U_i DC 17.5 V</p> <p>3.2 or for connection to a circuit with the following max. values Voltage U_i DC 32 V Current I_i 280 mA Power P_i 2 W</p> <p>The effective internal values are: Effective internal inductance L_i <10 µH Effective internal capacitance C_i <5 nF</p> <p>4 Ambient temperature range T_a -40 °C up to +70 °C</p> <p>Special conditions for safe use None</p> <p>Test and assessment report BVS PP 00.2071 EG as of 26.01.2010</p> <p style="text-align: right;">Signed: Dr. Franz Eiskhoff Certification body</p> <p style="text-align: right;">Signed: Dr. Michael Wittler Special services unit</p> <p style="text-align: center;">DEKRA EXAM GmbH Bochum, dated 26. January 2010</p>
-----------------------------------------------------------------------------------------------------------------------------------------------------------------------------------------------------------------------------------------------------------------------------------------------------------------------------------------------------------------------------------------------------------------------------------------------------------------------------------------------------------------------------------------------------------------------------------------------------------------------------------------------------------------------------------------------------------------------------------------------------------------------------------------------------------------------------------------------------------------------------------------------------------------------------------------------------------------------------------------------------------------------------------------------------------------------------------------------------------------------------------------------------------------------------------------------------------------------------------------------------------------------------------------------------------------------------------------	--------------------------------------------------------------------------------------------------------------------------------------------------------------------------------------------------------------------------------------------------------------------------------------------------------------------------------------------------------------------------------------------------------------------------------------------------------------------------------------------------------------------------------------------------------------------------------------------------------------------------------------------------------------------------------------------------------------------------------------------------------------------------------------------------------------------------------------------------------------------------------------------------------------------------------------------------------------------------------------------------------------------------------------------------------------------------------------------------------------------------------------------------------------------------------------------------------------------------------------------------------------------------------------------------------------------------------------------------------------------------------------------------------------------------------------------------------------------------------------------------------------------------------------------------------------------------------------------------------------------------------------------------------------------------------------------------------------------------------------------------------------------------------

Page 2 of 3 to DMT 00 ATEX E 075 / NI
 This certificate may only be reproduced in its entirety and without change.
 DEKRA EXAM GmbH Dimmesdahlstrasse 9 44889 Bochum, Germany Phone +49 234 5696-105 Fax +49 234 5696-110 E-mail ze-exam@dekra.com
 (until 31.03.2005 Deutsche Normen Technologie GmbH Am Technologiepark 1 45327 Essen Germany)

Page 1 of 3 to DMT 00 ATEX E 075 / NI
 This certificate may only be reproduced in its entirety and without change.
 DEKRA EXAM GmbH Dimmesdahlstrasse 9 44889 Bochum, Germany Phone +49 234 5696-105 Fax +49 234 5696-110 E-mail ze-exam@dekra.com
 (until 31.03.2005 Deutsche Normen Technologie GmbH Am Technologiepark 1 45327 Essen Germany)



Physikalisch-Technische Bundesanstalt
Braunschweig und Berlin



(1) **EC-TYPE-EXAMINATION CERTIFICATE**
(Translation)



(2) Equipment and Protective Systems Intended for Use in Potentially Explosive Atmospheres - Directive 94/9/EC
(3) EC-type-examination Certificate Number: **PTB 99 ATEX 2219 X**

(4) Equipment: Slot-type initiators types S.I... and SC...
(5) Manufacturer: Pepperl + Fuchs GmbH
(6) Address: D-68307 Mannheim

(7) This equipment and any acceptable variation thereto are specified in the schedule to this certificate and the documents therein referred to.

(8) The Physikalisch-Technische Bundesanstalt, notified body No. 0102 in accordance with Article 9 of the Council Directive 94/9/EC of 23 March 1994, certifies that this equipment has been found to comply with the Essential Health and Safety Requirements relating to the design and construction of equipment and protective systems intended for use in potentially explosive atmospheres, given in Annex II to the Directive.

(9) The examination and test results are recorded in the confidential report PTB Ex 99-29175.
Compliance with the Essential Health and Safety Requirements has been assured by compliance with:
EN 50014:1997
EN 50020:1994

(10) If the sign "X" is placed after the certificate number, it indicates that the equipment is subject to special conditions for safe use specified in the schedule to this certificate.

(11) This EC-type-examination Certificate relates only to the design and construction of the specified equipment in accordance with Directive 94/9/EC. Further requirements of this Directive apply to the manufacture and supply of this equipment.

(12) The marking of the equipment shall include the following:

II 2 G EEx ia IIC T6

Zertifizierungsstelle Explosionsschutz

By order:



Dr.-Ing. U. Johannsmeyer
Regierungsdirektor

Braunschweig, December 22, 1999

sheet 1/3

EC-type-examination Certificates without signature and official stamp shall not be valid. The certificates may be circulated only without alteration. Extracts or alterations are subject to approval by the Physikalisch-Technische Bundesanstalt. In case of dispute, the German text shall prevail.

Physikalisch-Technische Bundesanstalt • Bundesallee 100 • D-38116 Braunschweig



Physikalisch-Technische Bundesanstalt
Braunschweig und Berlin

SCHEDULE

(13) **EC-TYPE-EXAMINATION CERTIFICATE PTB 99 ATEX 2219 X**

(15) Description of equipment

The slot-type initiators of types S.I... and SC... are used to convert displacements into electrical signals.

The slot-type initiators may be operated with intrinsically safe circuits certified for categories and explosion groups [EEx ia] IIC or IIB resp. [EEx ib] IIC or IIB. The category as well as the explosion group of the intrinsically safe slot-type initiators depends on the connected supplying intrinsically safe circuit.

Electrical data

Evaluation and supply circuit.....

..... type of protection Intrinsic Safety EEx ia IIC/IIB resp. EEx ib IIC/IIB

only for connection to certified intrinsically safe circuits

Maximum values:

type 1	type 2	type 3	type 4
$U_i = 16 V$	$U_i = 16 V$	$U_i = 16 V$	$U_i = 16 V$
$I_i = 25 mA$	$I_i = 25 mA$	$I_i = 52 mA$	$I_i = 76 mA$
$P_i = 34 mW$	$P_i = 64 mW$	$P_i = 169 mW$	$P_i = 242 mW$

The assignment of the type of the connected circuit to the maximum permissible ambient temperature and the temperature class as well as the effective internal reactances for the individual types of slot-type initiators are shown in the table.

sheet 2/3

EC-type-examination Certificates without signature and official stamp shall not be valid. The certificates may be circulated only without alteration. Extracts or alterations are subject to approval by the Physikalisch-Technische Bundesanstalt. In case of dispute, the German text shall prevail.

Physikalisch-Technische Bundesanstalt • Bundesallee 100 • D-38116 Braunschweig



Physikalisch-Technische Bundesanstalt

Braunschweig und Berlin

SCHEDULE TO EC-TYPE-EXAMINATION CERTIFICATE PTB 99 ATEX 2219 X

types	C _i [nF]	L _i [µH]	type 1				type 2				type 3				type 4				
			maximum permissible ambient temperature in °C for application in temperature class				maximum permissible ambient temperature in °C for application in temperature class				maximum permissible ambient temperature in °C for application in temperature class				maximum permissible ambient temperature in °C for application in temperature class				
			T6	T5	T4-T1	T6	T5	T4-T1	T6	T5	T4-T1	T6	T5	T4-T1	T6	T5	T4-T1	T6	T5
SC2-N0...	150	150	72	87	100	65	80	100	40	55	75	23	38	54					
SC3.5-N0-Y...	150	150	72	87	100	65	80	100	40	55	75	23	38	54					
SC3.5-N0...	150	150	73	88	100	66	81	100	45	60	89	30	45	74					
SJ1.8-N-Y...	30	100	73	88	100	67	82	100	45	60	78	30	45	57					
SJ2.2-N...	30	100	73	88	100	67	82	100	45	60	78	30	45	57					
SJ2-N...	30	100	73	88	100	67	82	100	45	60	78	30	45	57					
SJ3.5-N...	50	250	73	88	100	66	81	100	45	60	89	30	45	74					
SJ3.5-H...	50	250	73	88	100	66	81	100	45	60	89	30	45	74					
SJ5-N...	50	250	73	88	100	66	81	100	45	60	89	30	45	74					
SJ5-K...	50	550	72	87	100	66	81	100	42	57	82	26	41	63					
SJ10-N...	50	1000	72	87	100	66	81	100	42	57	82	26	41	63					
SJ15-N...	150	1200	72	87	100	66	81	100	42	57	82	26	41	63					
SJ30-N...	150	1250	72	87	100	66	81	100	42	57	82	26	41	63					

(16) Test report PTB Ex 99-29175

(17) Special conditions for safe use

1. For the application within a temperature range of -60°C to -20 °C the slot-type initiators of types SJ... and SC... must be protected against damage due to impact by mounting into an additional housing.
2. The connection facilities of the slot-type initiators of types SJ... and SC... shall be installed as such that at least a degree of protection of IP20 according to IEC-publication 60529:1989 is met.
3. The assignment of the type of the connected circuit to the maximum permissible ambient temperature and the temperature class as well as the effective internal reactances for the individual types of slot-type initiators is shown in the table given under item (15) of this EC-type-examination certificate.
4. Inadmissible electrostatic charge of the plastic housing of the slot-type initiators of type SJ30-N... has to be avoided (warning label on the device).

(18) Essential health and safety requirements

Met by the standards mentioned above



Braunschweig, August 10, 1999

Zertifizierungsstelle Explosionschutz
By order:

[Signature]
Dr.-Ing. V. Johansmeier
Regierungsdirektor

sheet 3/3

EC-type-examination Certificates which are not valid and official stamp shall not be valid. The certificates may be circulated only without alteration. Extracts or alterations are subject to approval by the Physikalisch-Technische Bundesanstalt. In case of dispute, the German text shall prevail.

Physikalisch-Technische Bundesanstalt • Bundesallee 100 • D-38116 Braunschweig

Physikalisch-Technische Bundesanstalt
Braunschweig und Berlin

1. SUPPLEMENT
according to Directive 94/9/EC Annex III.6
to EC-TYPE-EXAMINATION CERTIFICATE PTB 99 ATEX 2219 X
(Translation)

Equipment: Slot-type initiators, types SJ... and SC...

Marking: II 2 G EEx ia IIC T6

Manufacturer: Peppert + Fuchs GmbH

Address: Königsberger Allee 87, 68307 Mannheim, Germany

Description of supplements and modifications

The slot-type initiators of type series SJ... and SC... listed below may in future also be used in hazardous areas where equipment of category-1 is required.

The modifications exclusively concern the „Electrical data“ (change of maximum permissible ambient temperatures for application as category-1 equipment, reduction of the intrinsically safe evaluation and supply circuit to category ia) as well as the marking of the slot-type initiators listed below.

SC2-N0... SJ5-...-N...
SC3.5-N0-Y... SJ5-K...
SC3.5-...-N0... SJ10-N...
SJ2-N... SJ15-N...
SJ3.5-...-N... SJ30-N...

For application as category-1 equipment the marking of the slot-type initiators listed above will be in the future:

II 1 G EEx ia IIC T6

The „Special conditions“ are also valid for application as category-1 equipment without changes

Sheet 1/2

EC-type-examination Certificates without signature and official stamp shall not be valid. The certificates may be circulated only without alteration. Extracts or alterations are subject to approval by the Physikalisch-Technische Bundesanstalt. In case of dispute, the German text shall prevail.

Physikalisch-Technische Bundesanstalt
Braunschweig und Berlin

1. SUPPLEMENT TO EC-TYPE-EXAMINATION CERTIFICATE PTB 99 ATEX 2219 X

Electrical data

type of protection Intrinsic Safety EEx ia IIC/IIB
only for connection to certified intrinsically safe circuits
Maximum values:

	type 1	type 2	type 3	type 4
U_i	16 V	16 V	16 V	16 V
I_i	25 mA	25 mA	52 mA	76 mA
P_i	34 mW	64 mW	169 mW	242 mW

The assignment of the type of the connected circuit to the maximum permissible ambient temperature and the temperature class as well as the effective internal reactances for the individual types of slot-type initiators are shown in the following table:

types	C _i [nF]	L _i [µH]	type 1			type 2			type 3			type 4		
			T6	T5	T4-T1	T6	T5	T4-T1	T6	T5	T4-T1	T6	T5	T4-T1
SC2-N0...	150	150	55	67	95	48	60	88	23	35	63	6	18	46
SC3.5-N0-Y...	150	150	55	67	95	48	60	88	23	35	63	6	18	46
SC3.5-...-N0...	150	150	56	68	96	48	61	89	28	40	68	13	25	53
SJ2-N...	30	100	56	68	96	49	61	89	28	40	68	13	25	53
SJ3.5-...-N...	50	250	56	68	96	49	61	89	28	40	68	13	25	53
SJ5-...-N...	50	250	56	68	96	49	61	89	28	40	68	13	25	53
SJ5-K...	50	550	55	67	95	48	60	88	25	37	65	9	21	49
SJ10-N...	50	1000	55	67	95	48	60	88	25	37	65	9	21	49
SJ15-N...	150	1200	55	67	95	48	60	88	25	37	65	9	21	49
SJ30-N...	150	1250	55	67	95	48	60	88	25	37	65	9	21	49

Test report: PTB Ex 03-23133

Zertifizierungsstelle
By order:
Dr.-Ing. U. Johannsmeyer
Regierungsdirektor

Braunschweig, October 29, 2003

Sheet 2/2

EC-type-examination Certificates without signature and official stamp shall not be valid. The certificates may be circulated only without alteration. Extracts or alterations are subject to approval by the Physikalisch-Technische Bundesanstalt. In case of dispute, the German text shall prevail.

Sheet 1/2

EC-type-examination Certificates without signature and official stamp shall not be valid. The certificates may be circulated only without alteration. Extracts or alterations are subject to approval by the Physikalisch-Technische Bundesanstalt. In case of dispute, the German text shall prevail.



Physikalisch-Technische Bundesanstalt
Braunschweig und Berlin

2. SUPPLEMENT

according to Directive 94/9/EC Annex III.6

to EC-TYPE-EXAMINATION CERTIFICATE PTB 99 ATEX 2219 X
(Translation)

Equipment: Slot-type initiators, types SJ... and SC...

Marking: II G EEx ia IIC T6

Manufacturer: Peppert + Fuchs GmbH

Address: Lilienthalstraße 200, 68307 Mannheim, Germany

Description of supplements and modifications

In the future the slot-type initiators, types SJ... and SC... may also be manufactured and operated according to the test documents listed in the assessment and test report.

The modifications concern the application of alternative casting compounds and materials for the type label as well as a different enclosure material and additional types of LEDs. The manufacturer's address changes as given above. Furthermore, the test specification is adapted to the current state of the standards which causes an alteration of the marking.

The marking will read in future:

II 1 G Ex ia IIC T6 or II 2 G Ex ia IIC T6

The "Special Conditions" and all further specifications of the EC-type examination certificate including the 1st supplement apply without changes also to this 2nd supplement.

Applied standards
EN 60079-0:2006

EN 60079-11:2007

EN 60079-26:2007

Assessment and test report: PTB Ex 11-20276

Zertifizierungssektor Elektroschutz
On behalf of PTB

Braunschweig, November 25, 2011

Dr.-Ing. U. Johann
Direktor und Professor

ZSEK101016.dtx

Sheet 1/1

EC-type-examination Certificates without signature and official stamp shall not be valid. The certificates may be circulated only without alteration. Extracts or alterations are subject to approval by the Physikalisch-Technische Bundesanstalt. In case of dispute, the German law shall prevail.

Physikalisch-Technische Bundesanstalt • Bundesallee 100 • 38116 Braunschweig • GERMANY

25 Declaration of conformity



Konformitätserklärung Declaration of Conformity

Nº. 16.4111.02

Hersteller: Heinrichs Messtechnik GmbH
Manufacturer: Robert-Perthel-Strasse 9
50739 Köln

Produktbeschreibung: **Schwabekörper-Durchflussmessgerät vom Typ BG***
Product description: **Variable Area Flowmeter Model BG***

Hiermit erklären wir, in alleiniger Verantwortung, dass das oben genannte Messsystem den Anforderungen der folgenden EU-Richtlinien, einschließlich allen bis heute veröffentlichten Änderungen bzw. Nachträgen entspricht:
We declare herewith, in sole responsibility, that the product described above is conform with the provisions of the following EU-directives, including all published changes and amendments as of today:

2014/30/EU (EMC)	EU-Richtlinie über die Elektromagnetische Verträglichkeit <i>EU-Directive relating to electromagnetic compatibility</i>
2014/34/EU (ATEX)	EU-Richtlinie über Geräte zur Bestimmungsgemäße Verwendung in explosionsgefährdeten Bereichen. <i>EU-Directive relating to electrical equipment intended for use in potentially explosive atmospheres</i>
2014/35/EU (LVD)	EU-Richtlinie über die Bereitstellung elektrischer Betriebsmittel zur Verwendung innerhalb bestimmter Spannungsgrenzen auf dem Markt <i>EU-Directive relating to the making available on the market of electrical equipment designed for use within certain voltage limits</i>
2014/68/EU (PED)	EU-Richtlinie zur Harmonisierung der Rechtsvorschriften der Mitgliedstaaten über die Bereitstellung von Druckgeräten auf dem Markt <i>EU-Directive on the harmonisation of the laws of the Member States relating to the making available on the market of pressure equipment</i>

Anhang N und X sind ein integraler Bestandteil dieser Erklärung
Annex N and X are an integral part of this declaration

Köln, den 02.09.2016

Frank Schramm
(Geschäftsführung / General Manager)

Kontakt :
Contact:

Tel: +49 (221) 49708-0
Email: info@heinrichs.eu
Web: www.heinrichs.eu



Anhang N zur Konformitätserklärung Annex N of the Declaration of Conformity

Nº. 16.4111.02

Produktbeschreibung: **Schwebekörper-Durchflussmessgerät vom Typ BG***
Product description: **Variable Area Flowmeter Model BG***

Die Konformität mit den auf Seite 1 genannten Richtlinien diese Erklärung wird nachgewiesen durch die Einhaltung folgenden Normen (gegebenenfalls abhängig von Gerätvariante):
Conformity to the Directives referred to on Page 1 of this Declaration is assured through the application of the following standards (possibly dependent on version of device):

X: Zutreffende Norm / Applicable Standard

Richtlinie Direktive	Norm –Ref. Nr. Standard / Ref. Nº.	Ausgabe Edition	Norm Beschreibung Standard Description	ES	BGN	BGF
2014/30/EU	61000-6-2	2011	Immunity Industrial enviroment	X		
	61000-6-3	2012	Emission residential enviroment	X		
	55011	2011	Radio frequency disturbance	X		
	61326-1	2013	EMC requirements	X		
2014/34/EU	60079-0	2012+A11	General requirements	X		
	60079-11	2012	Intrinsic Safety „i“	X		
	13463-1	2009-07	General requirements non electrical devices		X	X
	13463-5	2011	Protection by constructional safety „c“		X	X
2014/35/EU	61010	2011	Safety requirements	X		
2014/68/EU	AD 2000-Merkblätter		Module H		X	X

Name und Anschrift der Benannte Stelle / Name and Address of the Notified Body

TÜV-SÜD-Industrie Service GmbH
TÜV SÜD Gruppe
Westendstraße 193
D-80686 München
ID-Nr. / ID-Nº.: RL 2014/68/EU: 0036

DEKRA EXAM GmbH
Carl-Beyling-Haus
Dinnendahlstraße 9
D-44809 Bochum
ID-Nr. / ID-Nº.: RL 2014/34/EU: 0158





Anhang X zur Konformitätserklärung Annex X of the Declaration of Conformity

Nº. 16.4111.02

Produktbeschreibung: **Schwebekörper-Durchflussmessgerät vom Typ BG***
Product description: **Variable Area Flowmeter Model BG***

Gerät Zulassungen / Device certification

EG-Baumusterprüfbescheinigung <i>EC-type examination certificate</i>	Nachtrag <i>Supplement</i>	Kennzeichnung <i>Marking</i>	ES	BGN	BGF
DMT 00 ATEX E 075	1	II 2G	X		
BVS 03 ATEX H/B 112	1	II 2GD c		X	X
<i>Tech. File Ref.</i>	-	<i>03-02 X</i>		X	X

X: Zutreffende Norm / Applicable Standard

Konformitätserklärungen für die als Option verwendeten Schalter werden von der Hersteller auf deren Homepage bereitgestellt.
For proximity switches offered as an option in conjunction with the above-mentioned products, the Declarations of Conformity are provided by the switch manufacturer on their homepage.

Die oben genannten Produkte entsprechen der Richtlinie 2014/34/EU. Neue Editionen können bereits eine oder mehrere der in den jeweiligen EG-Baumusterprüfbescheinigungen genannten Normen ersetzt haben.
Der Hersteller erklärt, dass alle in dieser Konformitätserklärung erwähnt Produkte auch die Anforderungen der neuen Ausgaben einhalten, da die veränderten Anforderungen der neuen Ausgaben entweder keinen Einfluss auf das Produkt haben, oder das Produkt die Anforderungen erfüllt.

The above-mentioned products comply with the Directive 2014/34/EU. New editions may have already replaced one or more of the Standards stated in the respective EC-Type-examination certificates. The manufacturer declares that all products mentioned in this Declaration of Conformity also comply with the requirements of the new editions since either the changed requirements of the new editions do not affect the product, or the product also fulfills the requirements.