

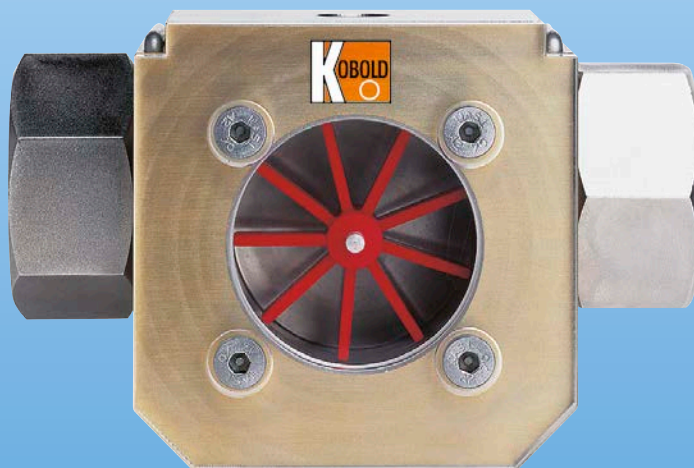


# Rotating-Vane Flow Indicator for liquids



measuring  
•  
monitoring  
•  
analysing

DIH



- Indication range:  
0.2 - 0.5 ... 1 - 50 l/min water
- $p_{\max}$ : 16 bar;  $t_{\max}$ : 80 °C
- Materials:  
brass, stainless steel, POM



96

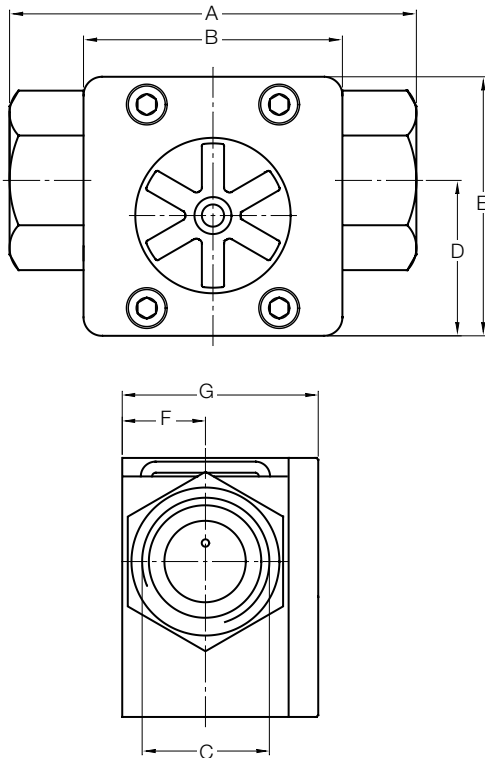
KOBOLD companies worldwide:

ARGENTINA, AUSTRALIA, AUSTRIA, BELGIUM, BULGARIA, CANADA, CHILE, CHINA, COLOMBIA, CZECHIA, EGYPT, FRANCE, GERMANY, GREAT BRITAIN, HUNGARY, INDIA, INDONESIA, ITALY, MALAYSIA, MEXICO, NETHERLANDS, PERU, POLAND, REPUBLIC OF KOREA, ROMANIA, SINGAPORE, SPAIN, SWITZERLAND, TAIWAN, THAILAND, TUNISIA, TURKEY, USA, VIETNAM

KOBOLD Messring GmbH  
Nordring 22-24  
D-65719 Hofheim/Ts.  
Head Office:  
+49(0)6192 299-0  
+49(0)6192 23398  
info.de@kobold.com  
www.kobold.com

Materials	DIH-11	DIH-12	DIH-13
Housing	nickel plated brass (CuZn39Pb3 nickel plated)	stainless steel (1.4404)	POM
Cover	PMMA (Plexi)	PMMA (Plexi)	PMMA (Plexi)
Seal	NBR	FPM	NBR
Vane wheel	polypropylene	polypropylene	polypropylene
Axle	ceramic	ceramic	ceramic
$p_{max}$	16 bar	16 bar	7 bar
$t_{max}$	80°C	80°C	80°C

Dimensions [mm]



	up to DIH-..05HR10	from DIH-..06HR25
A	84	110
B	60	70
C	G $\frac{3}{4}$	G1
D	40	42
E	60	70
F	19.5	22.5
G	51.5	53

Order Details (Example: DIH-1101 R10)

Indication range		Model			Connection	
Water [l/min]	$\Delta P$ [bar]*	DIH-11...	DIH-12...	DIH-13...	G $\frac{3}{4}$	G1
0.2...0.5	1	DIH-1101...	DIH-1201...	DIH-1301...	R10	-
0.3...2		DIH-1102...	DIH-1202...	DIH-1302...	R10	-
0.5...5		DIH-1103...	DIH-1203...	DIH-1303...	R10	-
1...12		DIH-1104...	DIH-1204...	DIH-1304...	R10	-
1...18		DIH-1105...	DIH-1205...	DIH-1305...	R10	-
1...22		DIH-1106...	DIH-1206...	DIH-1306...	-	R25
1...35		DIH-1107...	DIH-1207...	DIH-1307...	-	R25
1...50		DIH-1108...	DIH-1208...	DIH-1308...	-	R25

\* At max. flow