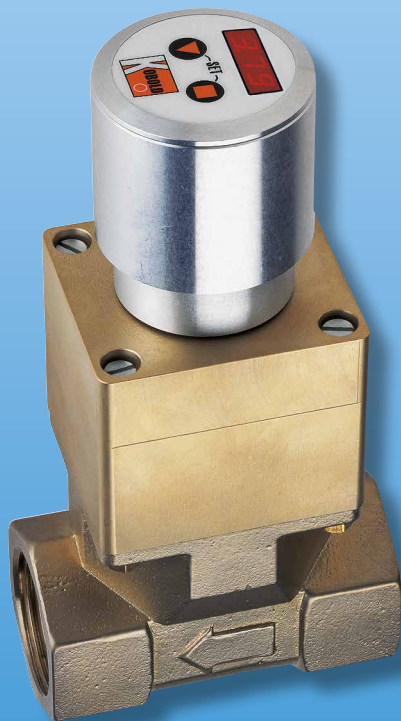


Target Type Flowmeter for Water



measuring
•
monitoring
•
analyzing

DPT



- Patented Target/Leaf-Spring Design
- Minimal Wear Components
- Ranges: 1.5...8 to 225...500 GPM Water
- Line Sizes: 3/8" ...3"
- Brass or Stainless Steel Versions
- Accuracy +/- 3% of Full Scale



KOBOLD companies worldwide:

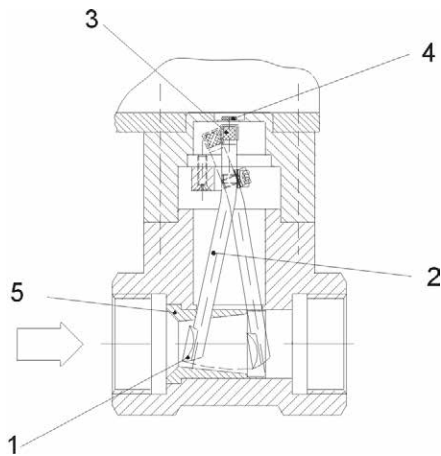
AUSTRALIA, AUSTRIA, BELGIUM, BULGARIA, CANADA, CHINA, CZECHIA, FRANCE, GERMANY, GREAT BRITAIN, HUNGARY, INDIA, INDONESIA, ITALY, MALAYSIA, MEXICO, NETHERLANDS, PERU, POLAND, REPUBLIC OF KOREA, RUSSIA, SPAIN, SWITZERLAND, THAILAND, TUNISIA, TURKEY, USA, VIETNAM

KOBOLD Instruments, Inc.
1801 Parkway View Drive
Pittsburgh, PA 15205
☎ Main Office:
1.800.998.1020
☎ 1.412.788.4890
info@koboldusa.com
www.koboldusa.com



Description

The DPT series uses a unique, patented target system to measure water flow. This design uses a single leaf-spring to both suspend the target and to provide the target resetting force. It is a simple, reliable design with virtually no wear. The mechanism consists of a target plate (1) and lever arm (2). Liquid flow causes the target plate and lever arm to deflect against the leaf-spring. A permanent magnet (3) attached to the lever arm and Hall effect sensor (4) mounted inside the display unit translate the angular motion of the target to an electrical signal. The signal from the Hall effect sensor is used by the electronic indicators to provide a flowrate display, adjustable setpoint switches, or an analog flow signal. The target plate measuring system offers a very low pressure loss.



Displays and Controllers



DPT-..C3xx.. Specifications

Programmable Functions:

Lockout Code, Switch Logic, Switch Setpoint and Hysteresis, Dampening

Input Power:

24 VDC ±20%, 80 mA Max.

Display:

3 Digit LED

Switch Type:

Open Collector PNP/NPN

Switch Rating:

300 mA Max. Short Circuit Protected

Analog Output:

4-20 mA, 3-wire RL=500 Ohms Max.

Housing:

304 SS, NEMA 4X

Electrical Connection:

Micro-DC, Male, 5-pin Plug



DPT-..Kxx2.. Specifications

Input Power:

100 ... 230 VAC/VDC or 18-30 VAC, 10-40 VDC

Display:

4-1/2 Digit LED and Bargraph 270°

Relays:

2 SPDT 5 amps @ 230 VAC

Analog Output:

4-20 mA, 4-wire, RL=500 Ohms Max. 0-10 VDC

Housing:

Epoxy Coated Aluminum, Polycarbonate, NEMA 4X/IP 65

Electrical Connection:

Cable Gland, PG-13.5

Specifications

Flow Range: 1.5...8 GPM to 225...500 GPM Water

Accuracy: ±3% of Full Scale

Repeatability: ±1% of Full Scale

Straight Piping Requirements

Inlet: 10x Diameter

Outlet: 5x Diameter

Operating Temperature:

-10...176 °F

Maximum Pressure:

580 PSIG at 70 °F

Wetted Materials

Brass Versions: Brass, 316-Ti SS, NBR, Ceramic

Stainless Steel Versions:

316-Ti Stainless Steel, FKM, Ceramic



Order Details (Example: DPT-1165G NB C34P)

Range (GPM Water)	Material ¹⁾		Fitting
	Brass	Stainless Steel	
1.5...8 3...13	DPT-1105G.. DPT-1110G..	DPT-1205G.. DPT-1210G..	..N3.. = 3/8" NPT ..G3.. = G 3/8
1.5...8 3...18	DPT-1115G.. DPT-1120G..	DPT-1215G.. DPT-1220G..	..N4.. = 1/2" NPT ..G4.. = G 1/2
1.7...14 5...22	DPT-1125G.. DPT-1130G..	DPT-1225G.. DPT-1230G..	..N5.. = 3/4" NPT ..G5.. = G 3/4
5...17 20...34	DPT-1135G.. DPT-1140G..	DPT-1235G.. DPT-1240G..	..N6.. = 1" NPT ..G6.. = G 1
15...45 27...60	DPT-1145G.. DPT-1150G..	DPT-1245G.. DPT-1250G..	..N8.. = 1-1/2" NPT ..G8.. = G 1 1/2
22...118 40...200	DPT-1155G.. DPT-1160G..	DPT-1255G.. DPT-1260G..	..N9.. = 2" NPT ..G9.. = G 2
175...396 225...500	DPT-1165G.. DPT-1170G..	DPT-1265G.. DPT-1270G..	..NB.. = 3" NPT ..GB.. = G 3

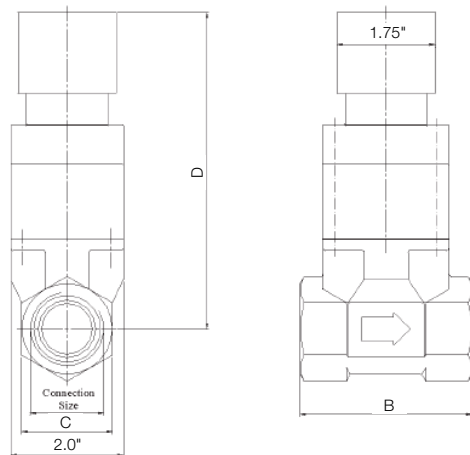
¹⁾ Replace "G" with "H" to order LPM

*Please Specify Flow Direction and Display Orientation When Ordering

Accessory for C3xx	
807.007	5-Pin Micro-DC Connector with 6-foot Cable
807.007/5M	5-Pin Micro-DC Connector with 16-foot Cable
807.007/10M	5-Pin Micro-DC Connector with 32-foot Cable

Dimensions

Compact Electronics DPT-..C3xx..

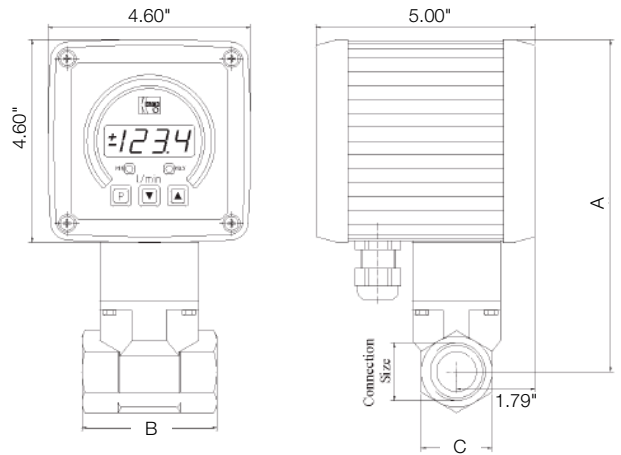


Fitting (NPT or G)	B	C	D
3/8"	3.07"	27 mm	5.43"
1/2"	3.07"	27 mm	5.43"
3/4"	3.07"	41 mm	5.43"
1"	3.07"	41 mm	5.43"
1-1/2"	3.07"	55 mm	6.10"
2"	3.20"	70 mm	6.18"
3"	4.17"	100 mm	6.85"

Order Details: Continued

Electronic			
ADI Electronic			
Display	Supply	Output	Contacts
..K.. = Bar Graph/Digital	..0.. = 100-230 V _{AC/DC} ..3.. = 18-30 V _{AC} , 10-40 V _{DC}	..0.. = without ..4.. = 4-20 mA, 0-10 V	..2 = 2 SPDT Switches
Compact Electronic			
Display	Supply	Output/Contacts	
..C.. = Digital	..3.. = 24 V _{DC}	..0R = 2x Open Collector, PNP ..0M = 2x Open Collector, NPN ..4P = 4-20 mA, 1x Open Coll. PNP ..4N = 4-20 mA, 1x Open Coll. NPN	

Electronic Display/Controller DPT- ..Kxx2..



Fitting (NPT or G)	A	B	C
3/8"	7.32"	3.07"	27 mm
1/2"	7.32"	3.07"	27 mm
3/4"	7.32"	3.07"	41 mm
1"	7.32"	3.07"	41 mm
1-1/2"	8.0"	3.07"	55 mm
2"	8.0"	3.20"	70 mm
3"	8.74"	4.17"	100 mm