

**Operating Instructions**  
**for**  
**Torsion Paddle**  
**Flow Meter / Monitor**

**Model: DPT-...**



## 1. Contents

---

1. Contents .....	2
2. Note .....	3
3. Instrument Inspection.....	3
4. Regulation Use.....	4
5. Operating Principle.....	4
6. Mechanical Connection.....	5
6.1. Check Service Conditions.....	5
6.2. Installation.....	5
7. Electrical Connection .....	6
7.1. General .....	6
7.2. Compact Electronics: (..C30R, ..C30M).....	6
7.3. Compact Electronics: (..C34P, ..C34N).....	6
7.4. ADI-Evaluation Electronic.....	7
8. Commissioning.....	8
8.1. Setting Compact Electronics.....	8
8.2. Setting ADI Evaluation Electronic.....	14
9. Maintenance.....	15
10. Technical Information.....	15
10.1. Sensor Data.....	15
10.2. Electronics .....	15
11. Order Codes.....	16
12. Dimensions .....	17
13. EU Declaration of Conformance .....	19

**Manufactured and sold by:**

Kobold Messring GmbH  
Nordring 22-24  
D-65719 Hofheim  
Tel.: +49(0)6192-2990  
Fax: +49(0)6192-23398  
E-Mail: info.de@kobold.com  
Internet: www.kobold.com

## 2. Note

---

Please read these operating instructions before unpacking and putting the unit into operation. Follow the instructions precisely as described herein.

The devices are only to be used, maintained and serviced by persons familiar with these operating instructions and in accordance with local regulations applying to Health & Safety and prevention of accidents.

When used in machines, the measuring unit should be used only when the machines fulfil the EC-machine guidelines.

### as per PED 2014/68/EU

In acc. with Article 4 Paragraph (3), "Sound Engineering Practice", of the PED 2014/68/EU no CE mark.

	Diagram 6 Pipe, gas Group 1 dangerous fluids
DPT, 3/8" - 1"	Art. 4, § 3
DTP, 1 1/2" – 3"	Cat. II

## 3. Instrument Inspection

---

Instruments are inspected before shipping and sent out in perfect condition.

Should damage to a device be visible, we recommend a thorough inspection of the delivery packaging. In case of damage, please inform your parcel service / forwarding agent immediately, since they are responsible for damages during transit.

### Scope of delivery:

The standard delivery includes:

- Torsion Paddle Flow Meter      model: DPT
- Operating Instructions

## 4. Regulation Use

---

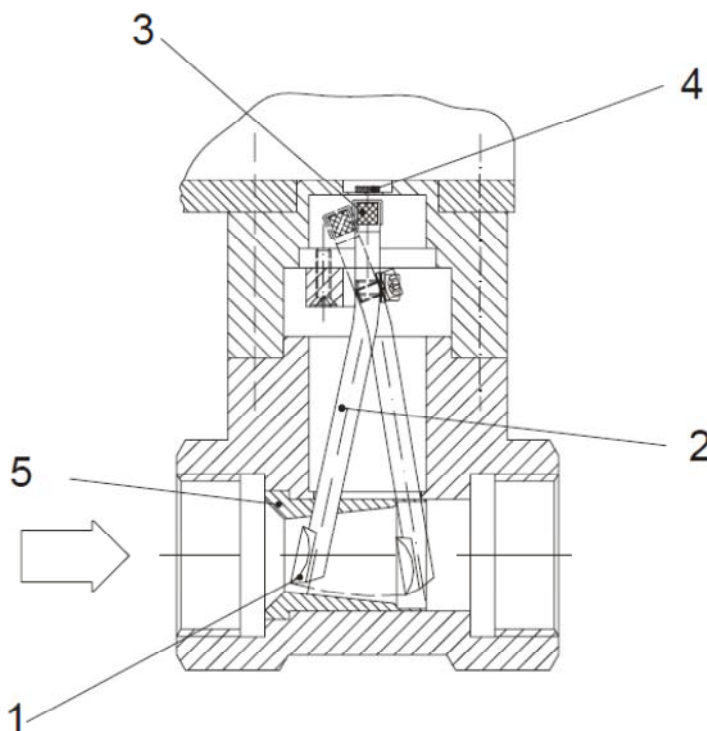
Any use of the Flow Meter, model: DPT, which exceeds the manufacturers specification may invalidate its warranty. Therefore any resulting damage is not the responsibility of the manufacturer. The user assumes all risk for such usage.

## 5. Operating Principle

---

The patented KOBOLD Torsion Paddle Flow Meter, model: DPT, operates according to the diaphragm plate principle. A flat torsion spring acts simultaneously as a mount for the paddle and as an elastic force. The device thus operates with almost no wear.

The paddle comprises a diaphragm plate (1) and a lever arm (2).



When the diaphragm plate is moved by the flow in the flow direction, the lever arm is deflected by the force of the leaf spring.

This angular motion is transferred non-contacting through the casing wall by a magnet (3) to a Hall-effect sensor (4) with no losses. Different measuring ranges and instrument sizes are realised with the geometry of the lever arm, the diameter and shape of the diaphragm plate as well as the height and thickness of the leaf spring. Calibration nozzles (5) can also be press-fitted to adapt to the measuring ranges. The signal from the Hall-effect sensor is displayed by different electronic means and serves to monitor the volume flow.

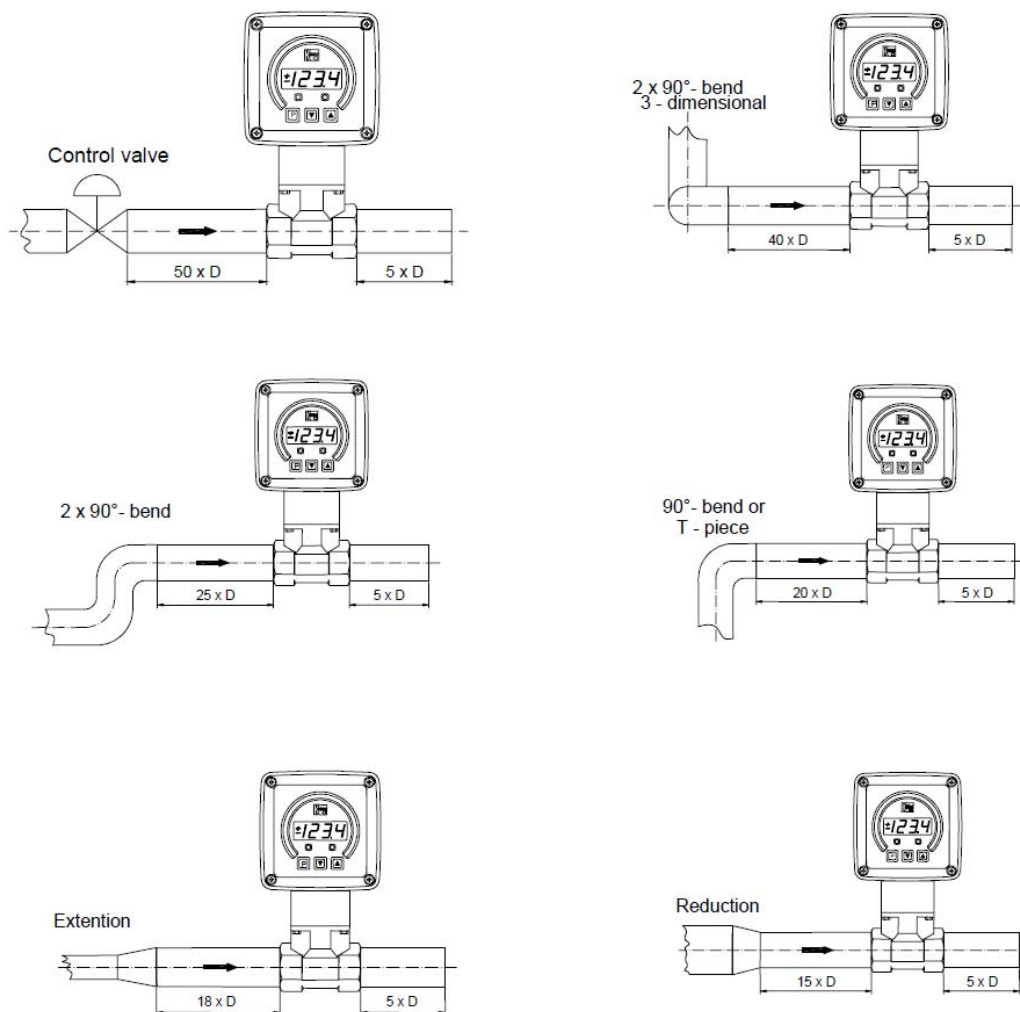
## 6. Mechanical Connection

### 6.1. Check Service Conditions:

- Flow quantity
- Max. operating pressure
- Max. operating temperature
- Medium
- Mounting position

### 6.2. Installation

- Flow in direction of arrow (horizontal)
- Avoid pressure and tensile loads  
Mechanically fix inlet and outlet lines at distances of 50 mm from the connections
- Check connections for leakage
- Pay attention to the inlet and outflow zone (see drawing below)



## 7. Electrical Connection

---

### 7.1. General



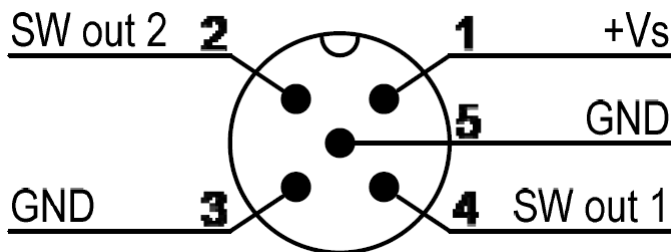
**Attention! Make sure that the voltage values of your system correspond with the voltage values of the Flow Meter.**

- **Make sure that the supply wires are de-energised.**
- Connect the supply voltage and the output signals to the plug connector PINs as shown below.
- We recommend the use of wires with cross sectional area of min. 0,25 mm<sup>2</sup>

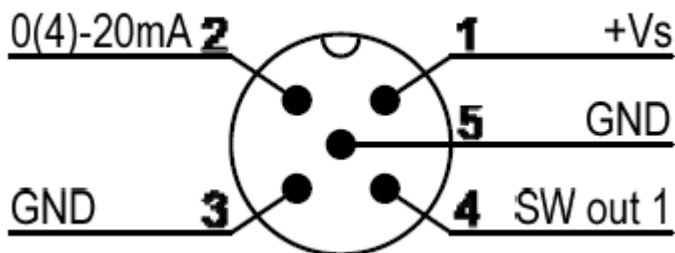


**Attention! Incorrect wiring will lead to damage of the unit's electronics.**

### 7.2. Compact Electronics: (..C30R, ..C30M)



### 7.3. Compact Electronics: (..C34P, ..C34N)

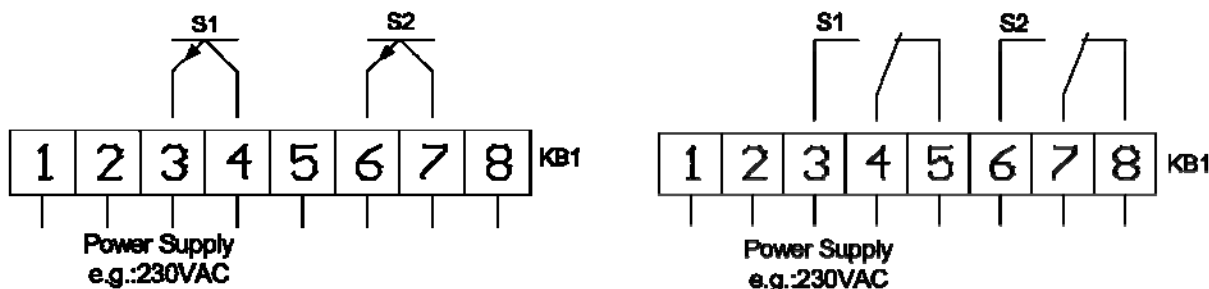


Terminals 3 and 5 are linked internally and can therefore be used either for the output signal or the power supply.

### 7.4. ADI-Evaluation Electronic

To avoid damaging the device during electrical connection, the electrician should take suitable precautions against electrostatic discharge (e.s.d.).

The supply voltage for the indicating unit and the optional switching outputs are connected to terminal block 1 according to the wiring diagram below (KB1).

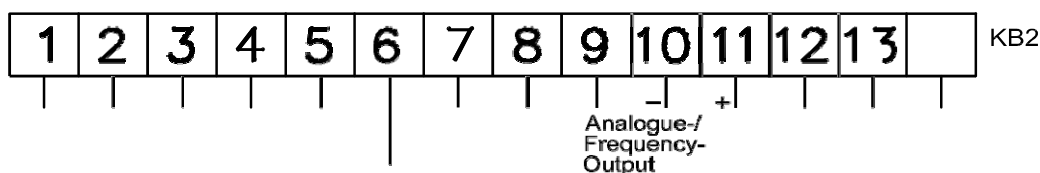


or

Sensor signal and the pickup supply can be connected to terminal block 2 (KB2).



The electrical connection of the device to the sensor should not be changed.



## 8. Commissioning

### 8.1. Setting Compact Electronics


#### 8.1.1. Programming


Connect the compact electronics according to the previous wiring diagram and apply the specified voltage.

The measuring range (upper range value) is displayed for 3 seconds after switch-on.

#### 8.1.2. Key Function

Standard mode (measuring mode)

 : pressing 3 sec. → set-up mode


 : switchpoint/window point

Set-up mode

 : Next level

 : Set value

Anytime:

3 sec 

or 20 sec  
no key pressing

↓

Standard mode

#### 8.1.3. Settings

The following values can be changed in the compact electronics:

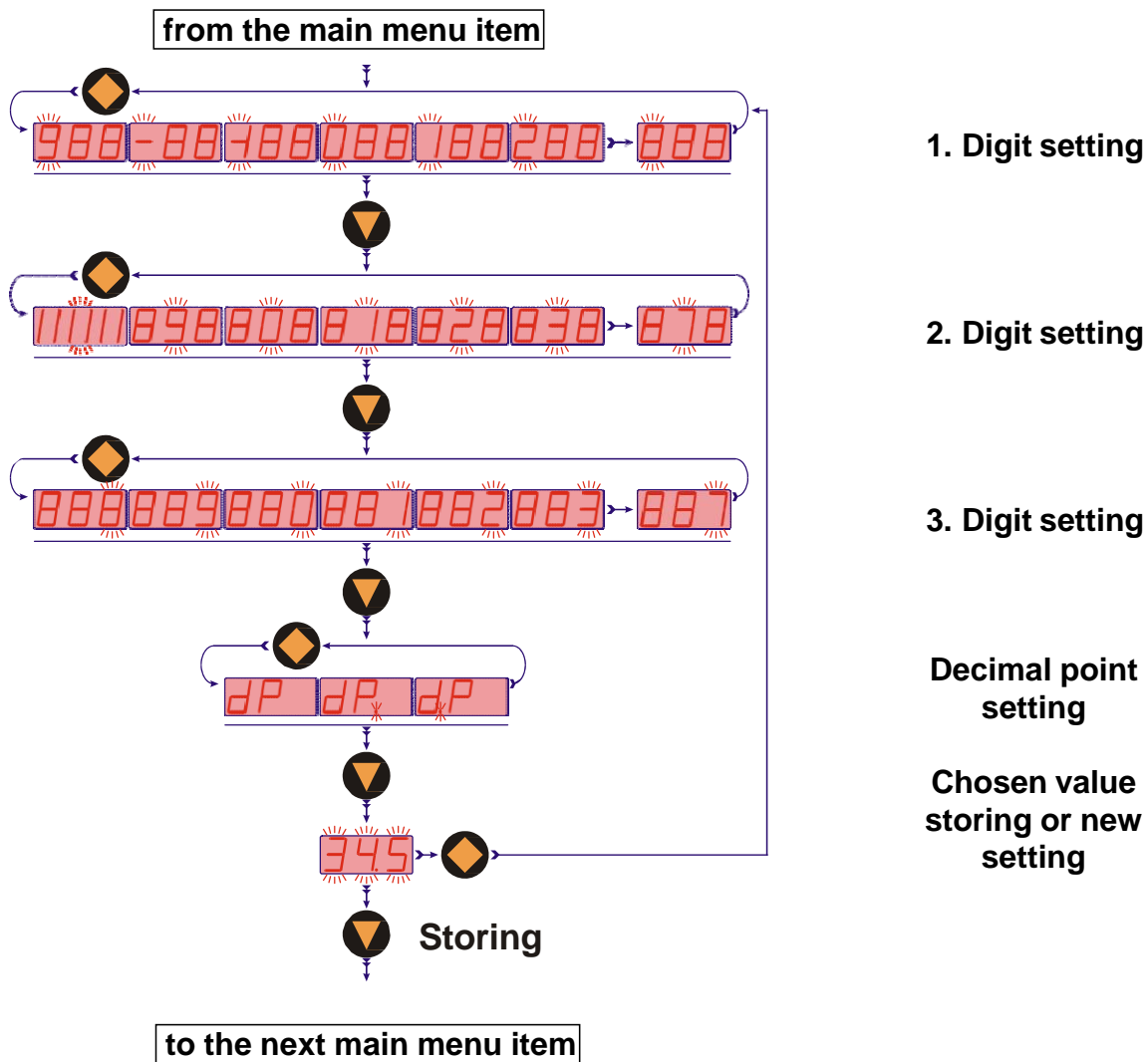
	Scale range	Factory setting
Switching point ( <b>SPo</b> , <b>SP1</b> , <b>SP2</b> )	0 - 999	0.00
Hysteresis ( <b>HYS</b> )	-199 - 0	-0.00
Window point ( <b>duo</b> )	Switching point ...999	--- (de-activated)
Filter ( <b>Filt</b> )	1/2/4/8/16/32/64	1
Contact type ( <b>Con</b> , <b>Co1</b> , <b>Co2</b> )	N/O contact ( <b>no</b> ), N/C ( <b>nc</b> ) or frequency ( <b>Fr</b> )	<b>no</b> (N/O contact)
Start current ( <b>S-C</b> )*	000 - 999	000
End current ( <b>E-C</b> )*	000 - 999	Upper range value
Start current selection ( <b>SCS</b> )	0-- (0 mA), 4-- (4 mA)	4 mA
Change code ( <b>CCo</b> )	000 - 999	000

\* Lower and upper range values of the flow rate are based on 0/4-20 mA.



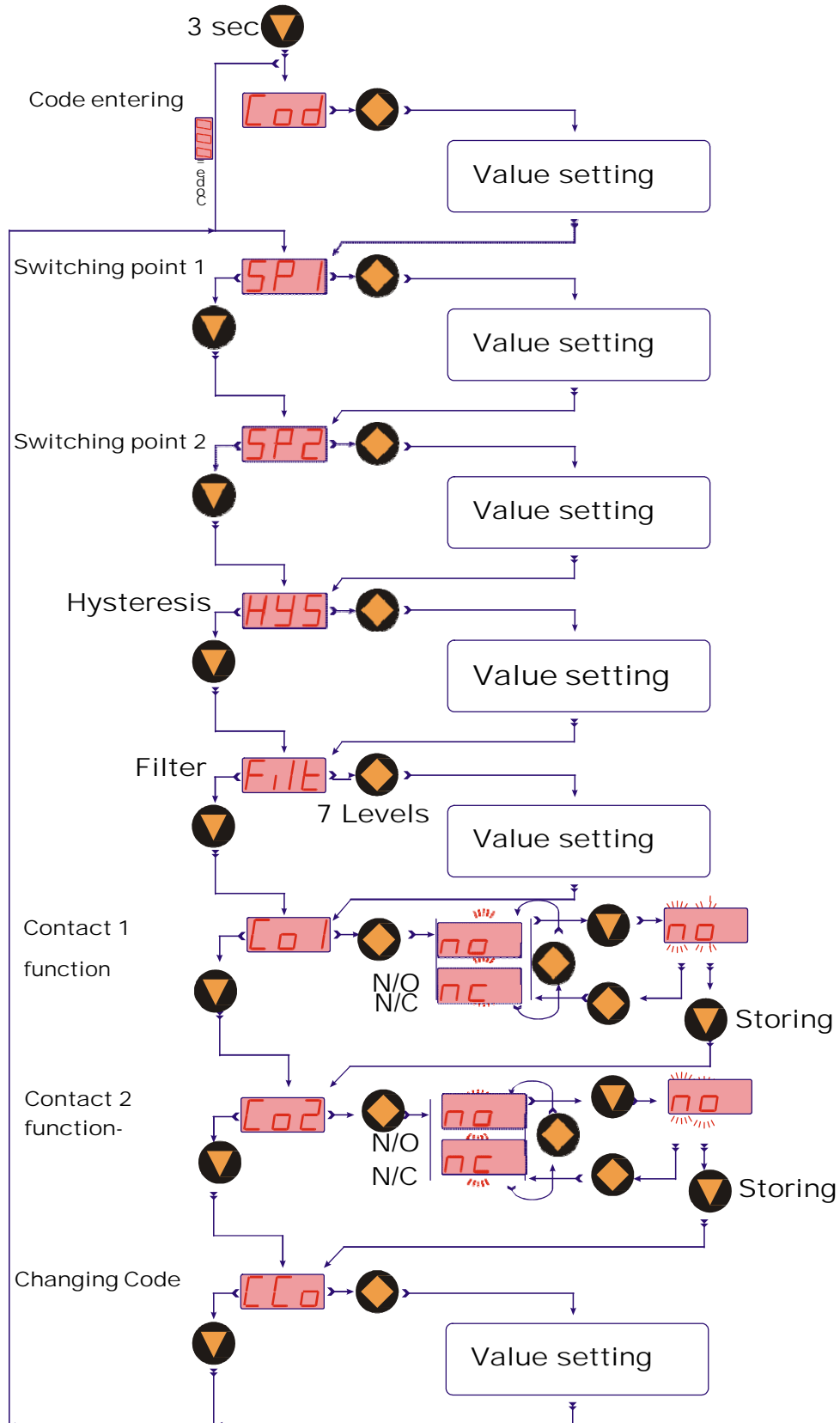
### 8.1.4. Value Setting

You can select value setting in the main menu item (for example: Switching point, "SPo") by pressing the "☐" key. The structure shown below illustrates the universal routine for changing individual parameters.

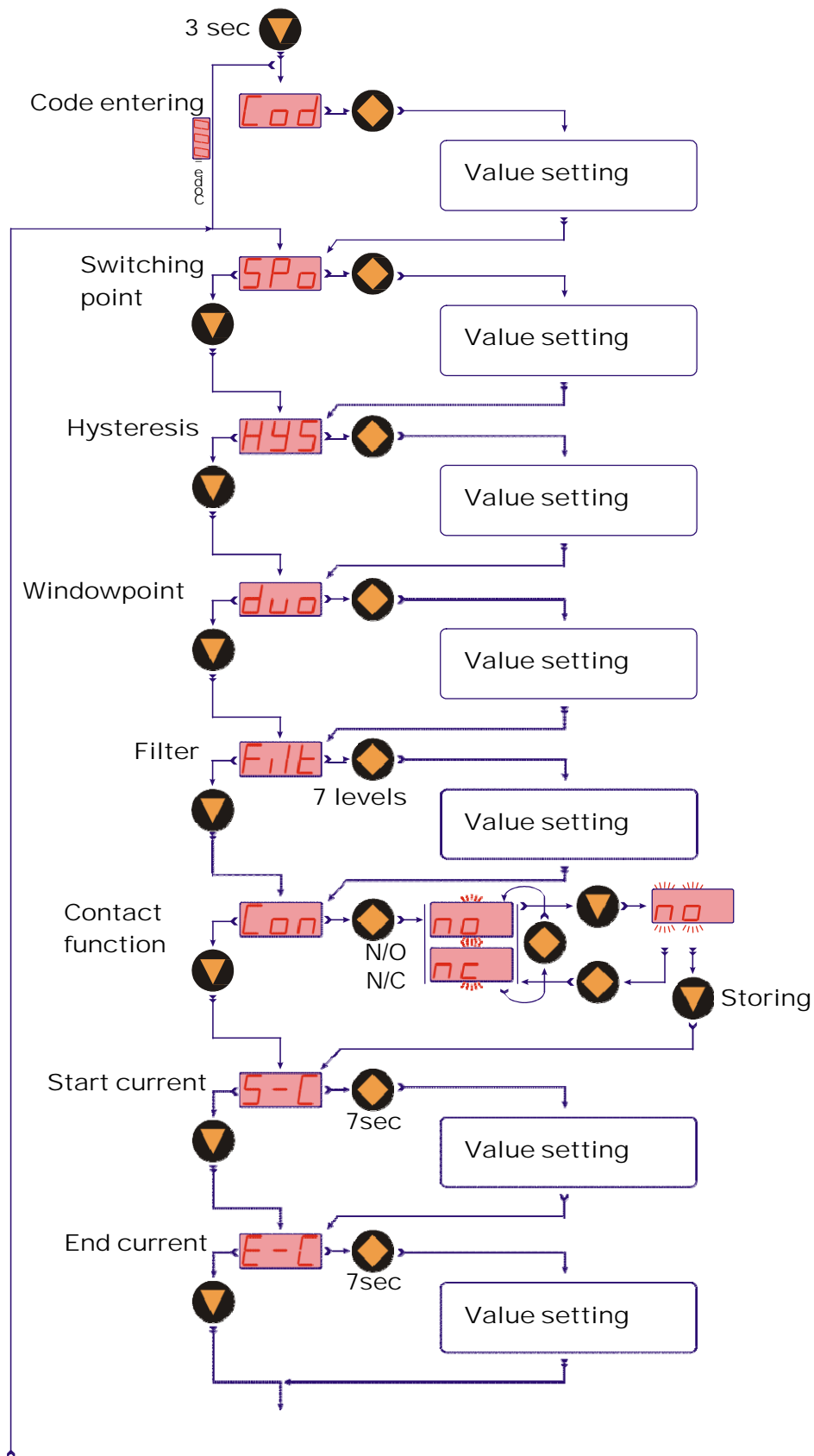


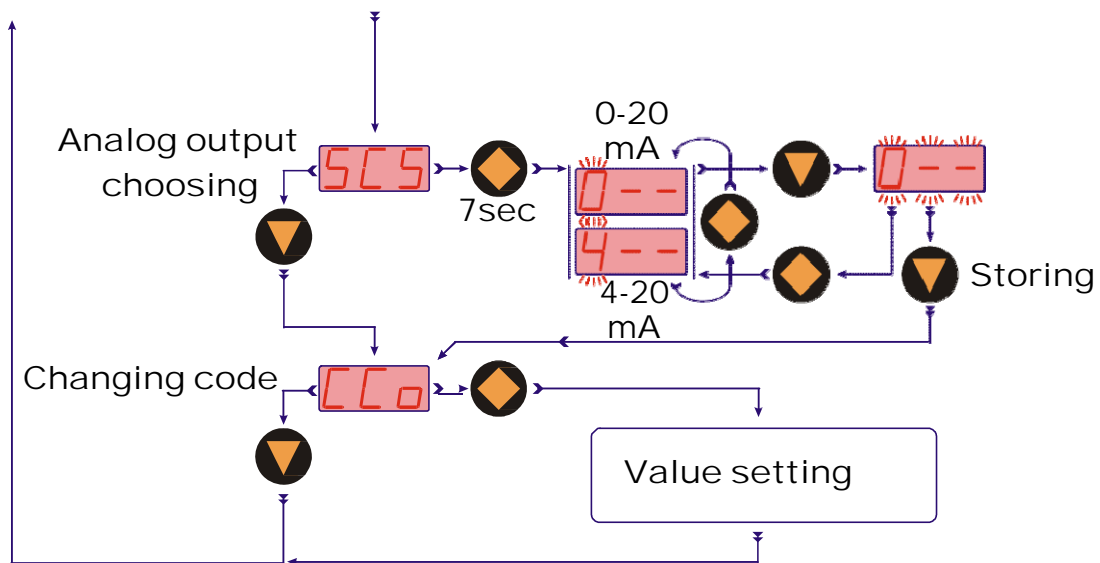
## 8.1.5. Set-up Mode

Compact electronics ..C30...



Compact electronic ..C34..





## 8.1.6. Main Menu Items

### Switching point

The switching point is entered in menu item "**SP<sub>0</sub>, SP<sub>1</sub>, SP<sub>2</sub>**". A value in the range 000 to 999 may be chosen. A decimal point position is also assigned to this value. The position of the decimal point can be set after the first, second or last position (no decimal point). If the indicated value exceeds the set switching point, then the electronics switches and energizes the LED.

If the hysteresis is equal to zero and the window point is de-activated, the electronic switches back whenever the indicated value falls below the switching point.

### Hysteresis

After the switching point, hysteresis can be entered as a negative value in the menu "**HYS**". The default hysteresis value is zero. However, this can lead to confused switching, when the measuring signal fluctuates around the switching point or window point. This problem can be cured by increasing the hysteresis. The hysteresis is based on the switching point and the window point (switching point minus hysteresis; window point plus hysteresis).

Example: switching point 100 l/min; hysteresis: -2.5 l/min

The electronics switches when 100 l/min is exceeded and switches back when the flow rate falls below 97.5 l/min.

### Window point (duo point)

A window point "**duo**" (duo point) can be defined in addition to the switching point. The window point must be greater than the switching point. The measured value can be monitored within a set range by means of the window point and switching point. The switching point marks the lower end of the range of values and the window point the upper end.



If the window point (duo point) is lower than or equal to the switching point, an error message is displayed (Er4), its value is then deleted and thus its function is disabled (applies to window point and switching point setting).

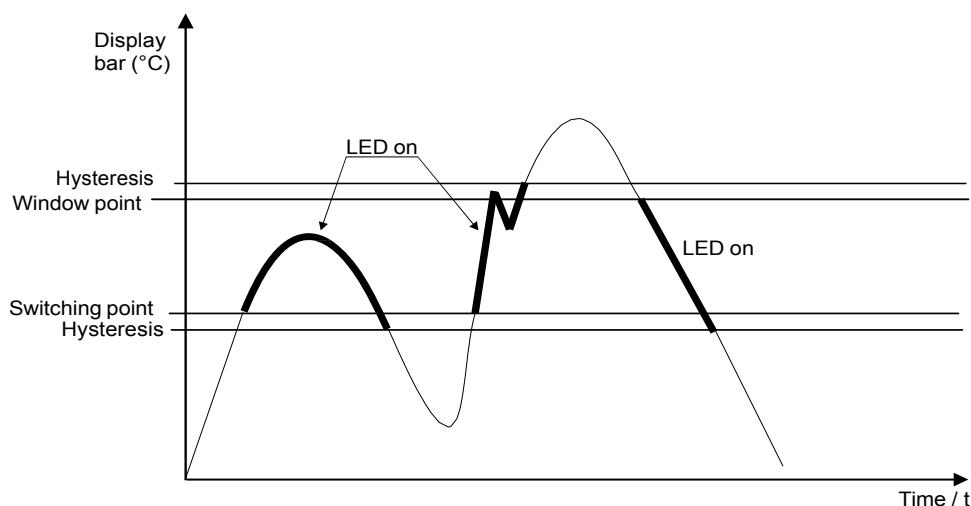
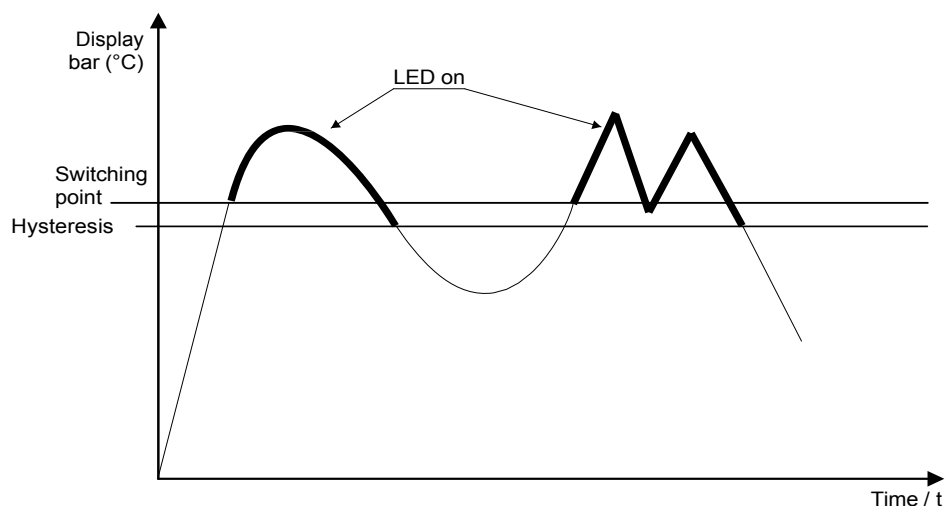
Value setting is similar to switching point setting.

The window point serves to monitor the measured value within a set range.

**Example:** Switching point: 100 l/min; window point: 150 l/min; hysteresis: -1 l/min  
The electronics switches when 100 l/min is exceeded. When the measured value stays within the limits 99 l/min (100-1) and 151 l/min (150+1), then the electronics also remains in the activated switch state (LED on). Should the measured value exceed 151 l/min or drop below 99 l/min, then the electronics switches back.

### Switching performance

The switching performance of the electronics is illustrated in the diagram below. The contact closes (N/O contact) when the switching point is exceeded or when the value drops below the window point. It opens when the window point plus hysteresis is exceeded or when the value drops below the switching point minus hysteresis. The switch state of the electronics is indicated by an **LED**.



## Filter

The filter function "**Filt**" generates the sliding average value from the measured values. The following values are available (see section 8.1.3 Settings):

1 / 2 / 4 / 8 / 16 / 32 / 64

The filter value determines the dynamic behaviour of the indicated value: high values results in a slow display response. The filter is disabled if a filter value of "1" is selected. In other words, the indicated value is equal to the unfiltered measured value.

The integrated step detector responds to a measured-value step change greater than approximately 6.25% of the upper range value. When a measured-value step change is detected, the actual measured value is displayed immediately.

## Contact Model

The function of the transistor switching output is set in menu item "**Con, Co1 or Co2**". The switching function switches from

**no - N/O contact to**  
**nc - N/C to**  
and back.

N/O contact means: contact closes when switching point is exceeded

N/C means: contact opens when switching point is exceeded

## Current output

The current output is selected in menu items

**"S-C"** Start current indicated value < > 0(4) mA

**"E-C"** End current indicated value < > 20 mA

**"SCS"** Start current selection (0-20 mA or 4-20 mA).

The indicated value at which 0(4) mA flow is entered in the menu item Start current. The indicated value at which 20 mA flow is entered in the menu item End current.

## Change Code

The change code option "**CCo**" secures the unit against unauthorised tampering. If the code is different from 000, the user must input the code immediately after entering the adjustment mode.

See Operating instructions supplement for compact electronics with frequency output

## 8.2. Setting ADI Evaluation Electronic

See Operating instructions supplement for ADI evaluation electronic

## 9. Maintenance

The measuring instrument requires no maintenance if the measured medium is not contaminated. In order to avoid any problems, we recommend that a filter is installed. For example the magnetic filter, model MFR.

Work on the sensor and electronics should only be carried out by the supplier, otherwise the guarantee is nullified.

## 10. Technical Information

### 10.1. Sensor Data

Measuring accuracy:	3% F.S.
Mounting position:	arbitrary
Process temperature:	max. 80 °C
Ambient temperature:	max. 80 °C
Max. operating pressure:	PN 40/20 °C
Protection type:	IP 65
<b>Materials:</b>	
Case:	aluminium bronze stainless steel 1.4581
Paddle, spring strip:	stainless steel 1.4571
Calibration nozzles:	stainless steel 1.4571
Gaskets:	aluminium bronze design: NBR stainless steel version: FPM
Magnet:	oxide ceramics

### 10.2. Electronics

#### Compact electronic

Display:	3-segment LED
Analogue output:	(0)4 - 20 mA scalable, max. 500 Ω
Transistor output:	1 (2) semiconductor PNP or NPN, set at the factory.
Contact function:	N/C / N/O contact programmable
Setting:	with 2 buttons
Supply:	24 V <sub>DC</sub> ±20%, 3-wire technology
Electrical connection:	plug connector M12x1

#### ADI-Evaluation Electronic

Display:	combined bargraph- and digital- display
Analogue output:	(0)4...20 mA, 0-10 V, scalable pulse output 0-1000 Hz

# DPT

2 switching outputs:	2 relays /changeover contact max. 230 V <sub>AC</sub> , 5 A ohm resistive load max. 30 V <sub>DC</sub> /5 A
Option:	2 optocoupler max. 35 V <sub>DC</sub> , I = 10-50 mA
Adjustment:	via 3 keys
Power supply .:	230/115/48/24 V <sub>AC</sub> , 24 V <sub>DC</sub>
Electrical connection:	pluggable terminal block via cable gland

For further technical information ADI-Evaluation electronic see brochure Z2.

## 11. Order Codes

Example: DPT 1105H G3 B000

Measuring range l/min. Water	Type		Connection		Electronics			
	Material aluminium bronze	Material stainless steel	Standard	Special	Display	Supply	Output	Contacts
5 - 30 12 - 50	DPT 1105H... DPT 1110H...	DPT 1205H.. DPT 1210H..	G3= G 3/8	N3= 3/8 NPT	ADI electronic indicator			
5.5 - 30 12 - 70	DPT 1115H... DPT 1120H...	DPT 1215H.. DPT 1220H..	G4= G 1/2	N4= 1/2 NPT	K= Bargr./ Digital	0= 230 V <sub>AC</sub> 4= 115 V <sub>AC</sub> 2= 24 V <sub>AC</sub> 1= 48 V <sub>AC</sub> 3= 24 V <sub>DC</sub>	0= without F= scalable frequency* 1= 0 - 10 V 2= 0 - 20 mA 4= 4 - 20 mA	0= without 2= 2 change-over cont. 6= 2 Optocouplers
6.5 - 55 15 - 85	DPT 1125H... DPT 1130H...	DPT 1225H.. DPT 1230H..	G5= G 3/4	N5= 3/4 NPT				
15 - 65 70 - 130	DPT 1135H... DPT 1140H...	DPT 1235H.. DPT 1240H..	G6= G 1	N6= 1 NPT				
50 - 170 100 - 230	DPT 1145H... DPT 1150H...	DPT 1245H.. DPT 1250H..	G8= G 1 1/2	N8= 1 1/2 NPT	Compact electronics			
80 - 450 150 - 800	DPT 1155H... DPT 1160H...	DPT 1255H.. DPT 1260H..	G9= G 2	N9= 2 NPT	C= Digital	3= 24 V <sub>DC</sub>	Output/ contacts	
650 - 1500 850 - 1900	DPT 1165H... DPT 1170H...	DPT 1265H.. DPT 1270H..	GB= G 3	NB= 3 NPT			0R= 2 x Open Collector, PNP 0M= 2 x Open Collector, NPN 4P= 4 - 20 mA, 1 x Open Coll. PNP 4N= 4 - 20 mA, 1 x Open Coll. NPN	

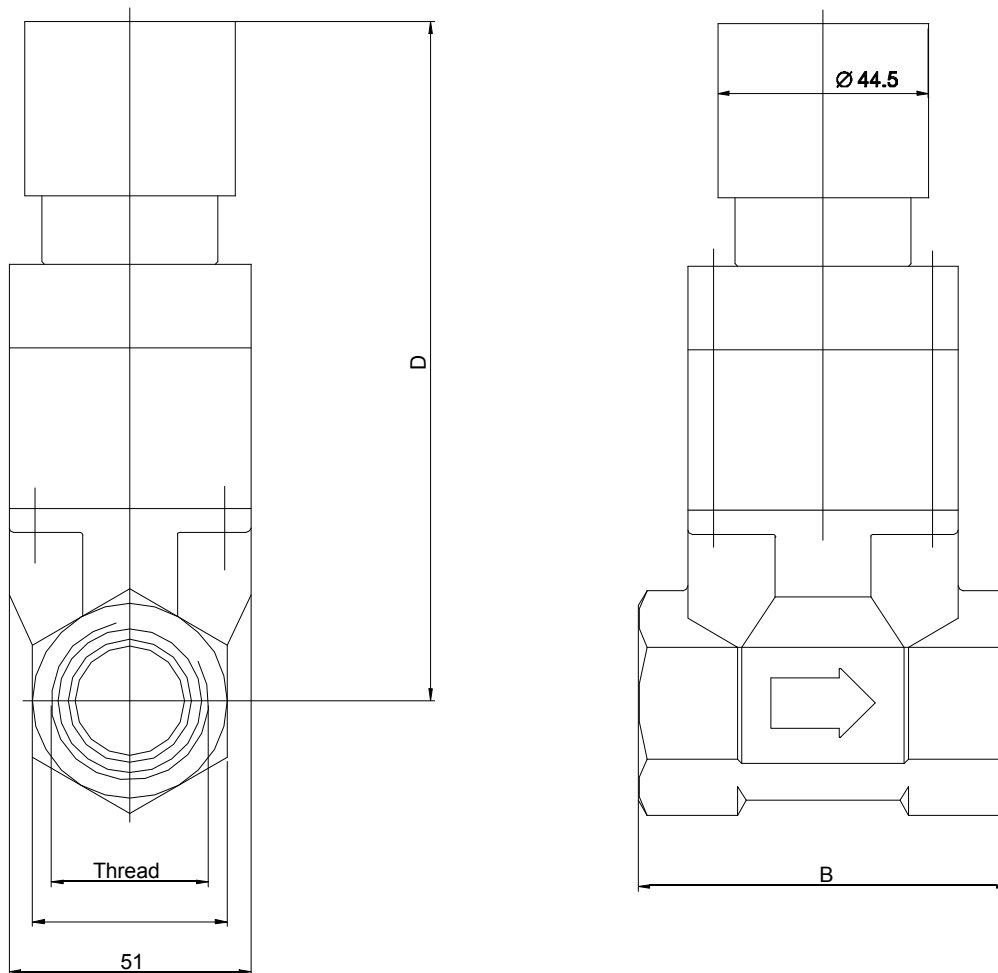
\* only for ADI-K

Please mention in order:  
Flow direction (left → right or right → left)



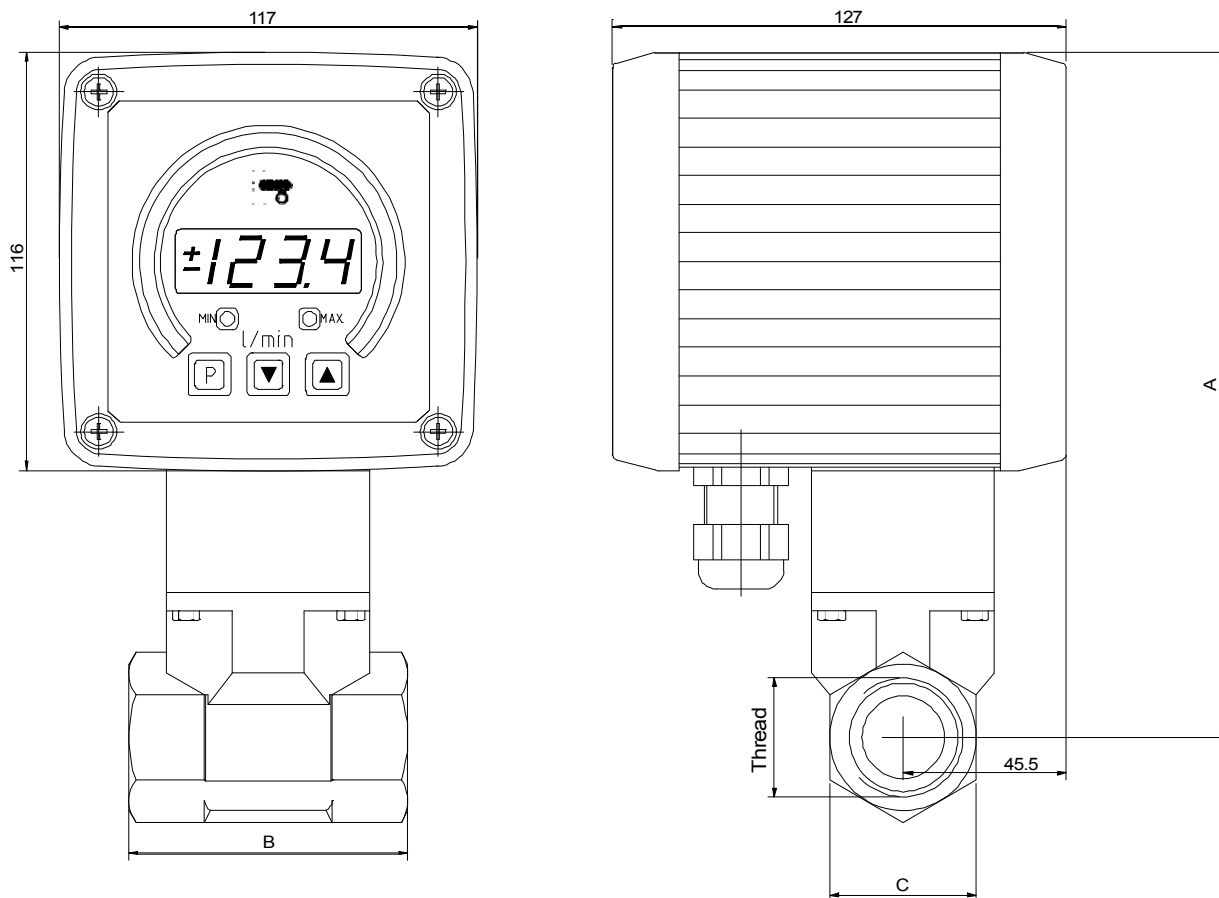
## 12. Dimensions

### DPT...C with compact electronics



Screw thread	A	B	C	D
G 3/8	186	78	Wrench size 27	138
G 1/2	186	78	Wrench size 27	138
G 3/4	187	78	Wrench size 41	139
G1	187	78	Wrench size 41	139
G 1 1/2	203	78	Wrench size 55	155
G 2	205	81	Wrench size 70	157
G3	222	106	Wrench size 100	174

## DPT...K with ADI evaluation electronic



Screw thread	A	B	C
G 3/8	186	78	Wrench size 27
G 1/2	186	78	Wrench size 27
G 3/4	187	78	Wrench size 41
G1	187	78	Wrench size 41
G 1 1/2	203	78	Wrench size 55
G 2	205	81	Wrench size 70
G3	222	106	Wrench size 100

## 13. EU Declaration of Conformance

We, KOBOLD-Messring GmbH, Hofheim-Ts, Germany, declare under our sole responsibility that the product:

**Torsion Paddle Flow Meter / Monitor      model: DPT -...**

to which this declaration relates is in conformity with the standards noted below:

**EN 61000-6-4:2011**

Electromagnetic compatibility (EMC) - Part 6-4: Generic standards - Emission standard for industrial environment

**EN 61000-6-2:2006**

Electromagnetic compatibility (EMC) - Part 6-2: Generic standards - Immunity for industrial environments

**EN 61010-1:2010**

Safety requirements for electrical equipment for measurement, control and laboratory use - Part 1: General requirements

**EN 60529:2014**

Degrees of protection provided by enclosures (IP Code)

**EN 50581:2012**

Technical documentation for the assessment of electrical and electronic products with respect to the restriction of hazardous substances

in accordance with the general requirements of the guideline

**2014/35/EU                      Low Voltage Directive**

**2011/65/EU                      RoHS (category 9)**

**for DPT, 1 ½" –3"**

**2014/68/EU                      PED**

- Category III (IV) Diagram 1, vessel, group 1 dangerous fluids
- Module D, marking CE0575
- Notified body: DNV GL
- Certificate No. PEDD0000002



H. Peters  
General Manager



M. Wenzel  
Proxy Holder

Hofheim, 11. Jan. 2018