

**Operating Instructions
for
Low Volume Rotating Vane
Flow Meter**

Model: DTK



1. Contents

| | |
|--|----|
| 1. Contents..... | 2 |
| 2. Note | 3 |
| 3. Instrument Inspection..... | 3 |
| 4. Regulation Use..... | 3 |
| 5. Operating Principle..... | 4 |
| 6. Mechanical Connection..... | 4 |
| 7. Electrical Connection | 5 |
| 7.1 General..... | 5 |
| 7.2 Plug Connection | 5 |
| 7.3 Cable Connection | 5 |
| 7.4 Compact Electronics: (..C30R, ..C30M, ..C34P, ..C34N)..... | 5 |
| 8. Technical Information..... | 6 |
| 9. Order Codes | 8 |
| 10. Dimensions | 9 |
| 11. EU Declaration of Conformance..... | 12 |

Manufactured and sold by:

Kobold Messring GmbH
Nordring 22-24
D-65719 Hofheim
Tel.: +49(0)6192-2990
Fax: +49(0)6192-23398
E-Mail: info.de@kobold.com
Internet: www.kobold.com

2. Note

Please read these operating instructions before unpacking and putting the unit into operation. Follow the instructions precisely as described herein.

The devices are only to be used, maintained and serviced by persons familiar with these operating instructions and in accordance with local regulations applying to Health & Safety and prevention of accidents.

When used in machines, the measuring unit should be used only when the machines fulfil the EC-machine guidelines.

as per PED 2014/68/EU

In acc. with Article 4, Absatz (3), "Sound Engineering Practice", of the PED 2014/68/EU no CE mark.

Diagram 8, Pipe, Group 1 dangerous fluids

3. Instrument Inspection

Instruments are inspected before shipping and sent out in perfect condition.

Should damage to a device be visible, we recommend a thorough inspection of the delivery packaging. In case of damage, please inform your parcel service / forwarding agent immediately, since they are responsible for damages during transit.

Scope of delivery:

The standard delivery includes:

- Low Volume Rotating Vane Flow Meter model: DTK
- Operating Instructions

4. Regulation Use

Any use of the Low volume rotating vane flowmeter, model: DTK", which exceeds the manufacturer's specification may invalidate its warranty. Therefore, any resulting damage is not the responsibility of the manufacturer. The user assumes all risk for such usage.

5. Operating Principle

The medium flows through a specially shaped flow housing and causes a vane to rotate. The vane has imbedded permanent magnets. Which are detected by a Hall Effect sensor as they pass. The Hall Effect sensor generates a voltage pulse each time a magnet passes. The frequency of the pulses is directly proportional to the flow velocity.

6. Mechanical Connection

Before installation:

- Remove all transport packaging and ascertain that no packaging material is left in the instrument
- Please ascertain whether the allowable maximum operating pressure and operating temperature of the instruments will not be exceeded (see standard material combinations).
- Please ascertain after completing of mechanical installation, whether the connection between fitting and pipe is tight.



Warning! Overflows of more than 20 % might damage the bearings and cause larger measuring errors or malfunction.

7. Electrical Connection

7.1 General

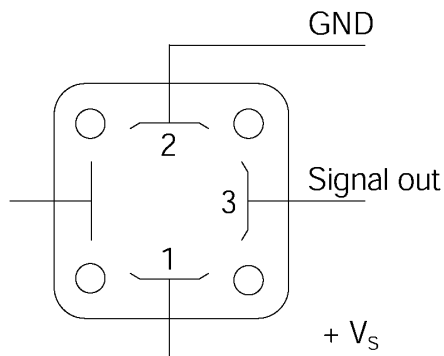
- Make sure that the power supply wires are de-energized.
- Connect the power supply and output signal wires according to the wiring diagrams under 7.2



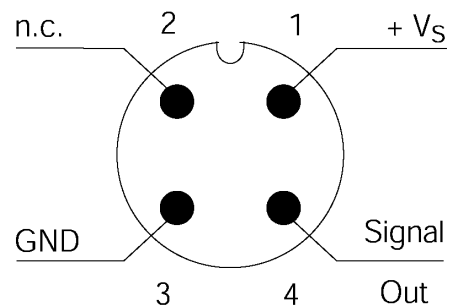
Caution! Incorrect connection will destroy the electronics. Make sure that the power supply values of your system are matching the power supply values of this instrument.

7.2 Plug Connection

DTK-...0400
NPN open collector



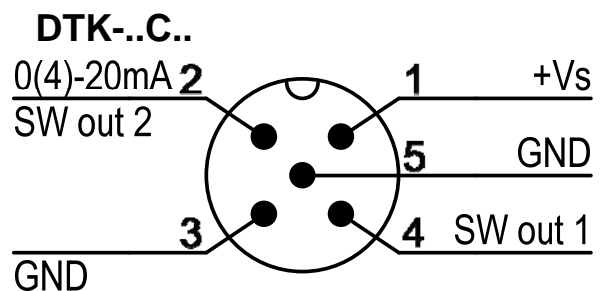
DTK-...F3; DTK-...L3
PNP open collector



7.3 Cable Connection

DTK-...0P00; DTK-...0S00

white: +Vs
brown: GND
green: signal NPN open collector



7.4 Compact Electronics: (..C30R, ..C30M, ..C34P, ..C34N)

see
Instruction Manual-Supplement
for Compact Electronics

8. Technical Information

| | |
|----------------------|---|
| Measuring accuracy: | ± 2 % f. s. ± 5 % f. s. OEM-version |
| Linearity: | ± 1 % v. ME |
| Repeatability: | ± 0.25 % |
| Medium temperature: | -15 °C to +80 °C -15 °C to +140 °C (DTK-...0S00) |
| Ambient temperature: | -15 °C to +60 °C |
| Max. pressure: | 30 bar |

Materials

| | |
|------------------------|--|
| Housing: | Stainless steel 1.3955 |
| Orifice: | Stainless steel 1.4404 |
| Axle: | Stainless steel 1.4404 |
| Rotating vane: | PVDF |
| Gasket: | FPM (FPM) |
| Connection: | G ¼ female thread ¼ NPT female thread |
| Installation position: | horizontal |
| Protection type: | IP 65 |

Electrical Data

OEM frequency output (DTK-...0*00) without CE-sign

| | |
|------------------------|---|
| Power supply: | 4 – 24 V _{DC} |
| Current input: | typ. 5 mA |
| Pulse output: | NPN, max. 20 mA, open collector |
| Electrical connection: | 1,5 m PVC cable 1,5 m silicone cable plug connector DIN 43650 |

AUF-4000 (option for DIN plug connector connection)

| | |
|--------------------|--|
| Display: | 4-segment red LED |
| Temperature range: | -20 to +80 °C |
| Power supply: | 24 V _{DC} ± 20 % |
| Input: | Pulses of DTK (NPN-Hall effect sensor) |
| Output: | 4 – 20 mA, 3-wire |
| Load: | 250 Ω |

DTK-...F300

| | |
|------------------------|---------------------------------|
| Power supply: | 12 – 28 V _{DC} |
| Current input: | 10 mA |
| Pulse output: | PNP, open collector, max. 20 mA |
| Electrical connection: | plug connector M12x1 |

DTK-...F390

Power supply: 24 V_{DC} ± 20 %
Current input: 15 mA
Pulse output: PNP; open collector, max. 20 mA
Frequency divider: 1...1/128, factory setting
Electrical connection: plug connector M12x1

DTK-...L303; DTK-...L343

Power supply: 24 V_{DC} ± 20 %
Output: 0(4) – 20 mA, 3-wire
Max. load: 500 Ω
Electrical connection: plug connector M12x1

Compactelectronics

Display: 3-segment LED
Analogue Output: (0) 4...20 mA adjustable, max. 500 Ω
Switching Outputs: 1 (2) Semiconductor PNP or NPN, factory-set
Contact-function: N/C, N/O programmable
Adjustment: via 2 buttons
Power-Supply: 24 V_{DC} ± 20 %, 3-wire technology,
approx. 100mA
Electrical Connection: Plug M12x1

9. Order Codes

Example: DTK-1206 G2 0000

| Meas. range [L/min] | Orifice Ø [mm] | Frequency at ME | Pressure loss at ME | Model | Connection | Evaluating electronics |
|---------------------|----------------|-----------------|---------------------|------------|--|---|
| 0.05 - 0.6 | 1.0 | 21 Hz | 1.0 bar | DTK-1210.. | ..G2.. = G 1/4 ..N2.. = 1/4 NPT | OEM frequency output without CE ..0P00= NPN, 1.5 m PVC cable ..0S00= NPN, 1.5 m silicone cable ..0400= NPN, plug connector DIN 43650 Frequency output ..F300= plug connector M12x1, PNP ..F320= plug con. M12x1, PNP, divider 1:2 ..F340= plug con. M12x1, PNP, divider 1:4 ..F390= plug con. M12x1, PNP, divider 1... ¹ /128 Analogue output ..L303= plug con. M12x1, 0 - 20 mA, 3-wire ..L343= plug con. M12x1, 4 - 20 mA, 3-wire Compact electronic ..C30R= Compact electronics, 2xPNP, plug M12x1 ..C30M= Compact electronics, 2xNPN, plug M12x1 ..C34P= Compact electronics, 4-20mA, 1xPNP ..C34N= Compact electronics, 4-20mA, 1xNPN |
| 0.1 - 1.3 | 1.5 | 30 Hz | 1.0 bar | DTK-1215.. | | |
| 0.2 - 2.0 | 1.8 | 36 Hz | 1.1 bar | DTK-1218.. | | |
| 0.3 - 3.5 | 2.5 | 41 Hz | 0.9 bar | DTK-1225.. | | |
| 0.3 - 5.0 | 3.0 | 47 Hz | 0.9 bar | DTK-1230.. | | |
| 0.5 - 7.0 | 3.5 | 51 Hz | 1.0 bar | DTK-1233.. | | |
| 0.5 - 10.0 | 5.0 | 50 Hz | 1.0 bar | DTK-1250.. | | |
| 1.0 - 12.0 | 6.0 | 44 Hz | 0.9 bar | DTK-1260.. | | |

Plug-on display

for model DTK-...0400 (with DIN plug connector)

| Description | Order number |
|--|-----------------|
| 4-segment red LED display Input: pulses of DTK (NPN-Hall effect sensor), Power supply: 24 V _{DC} Output: 4-20 mA 2-wire (max. 250 Ω) Plug connector DIN 43650 | AUF-4000 |



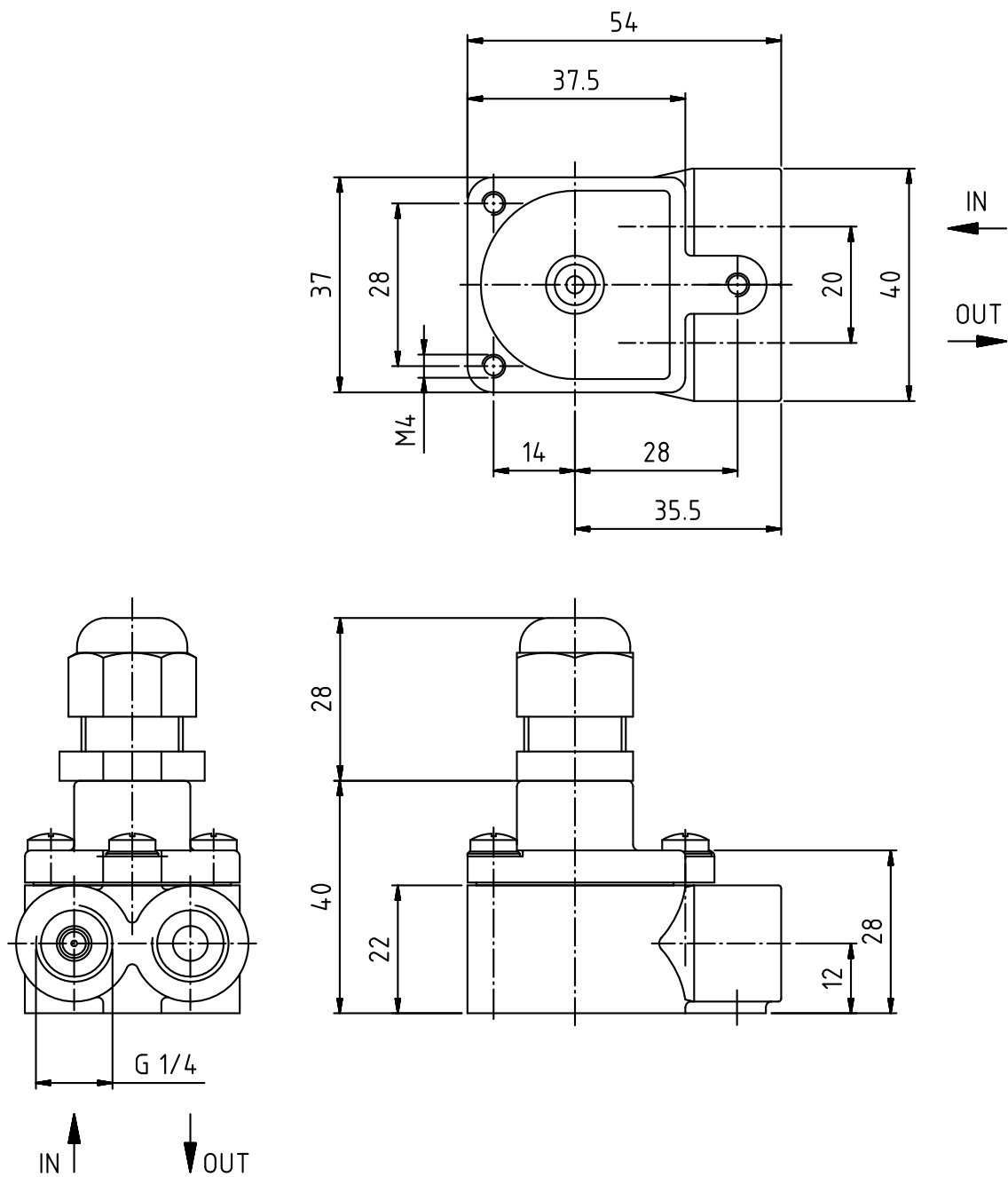
Accessory

Round connector

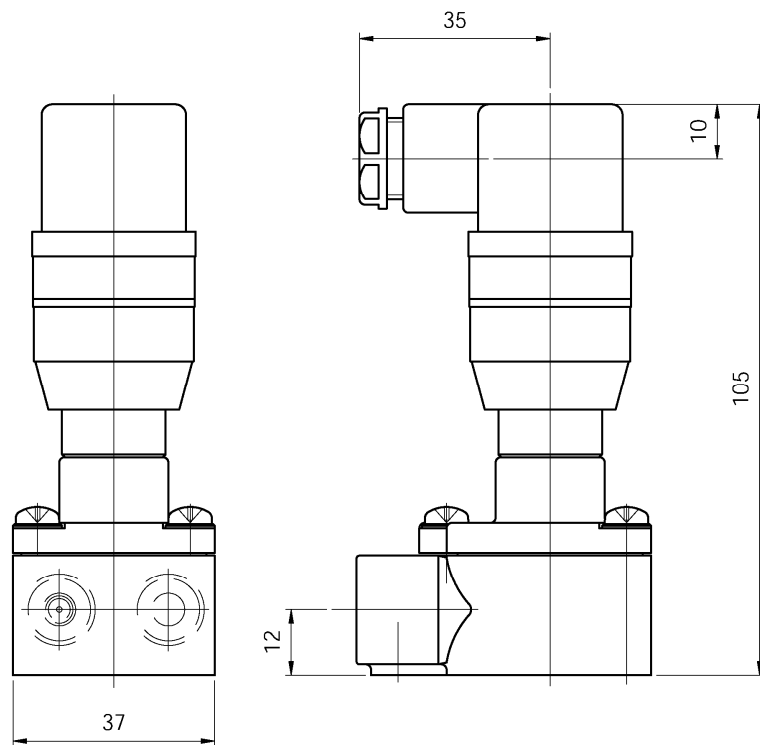
| Typ | Description |
|----------------|--|
| ZUB-KAB-12D500 | Round connector M12 x 1 Dose with terminal, 5-pol |
| ZUB-KAB-12K002 | Round connector M12 x 1 Dose with 2 m cable, 4-pol |
| ZUB-KAB-12Q000 | Round connector M12 x 1 Dose with Quick-on, 4-pol |

10. Dimensions

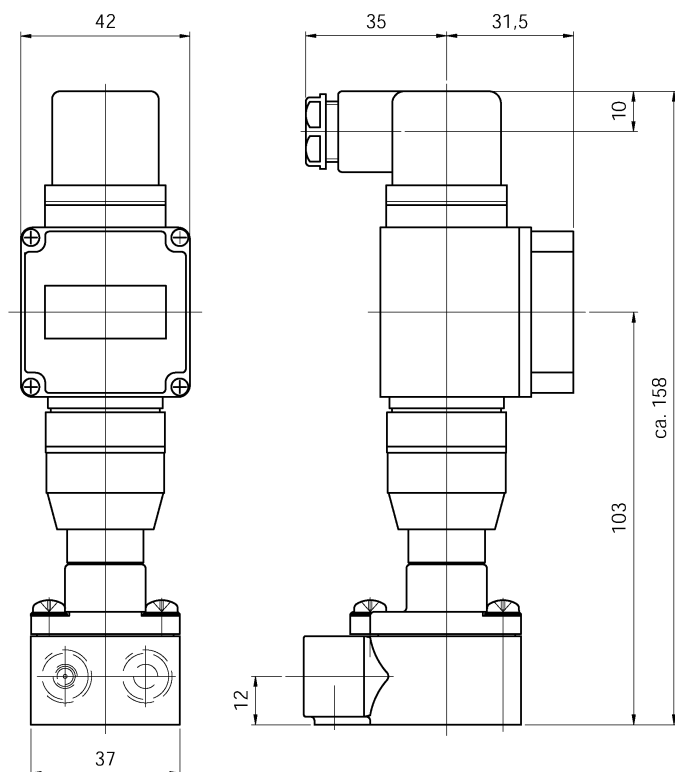
DTK-...0P00; DTK-...0S00



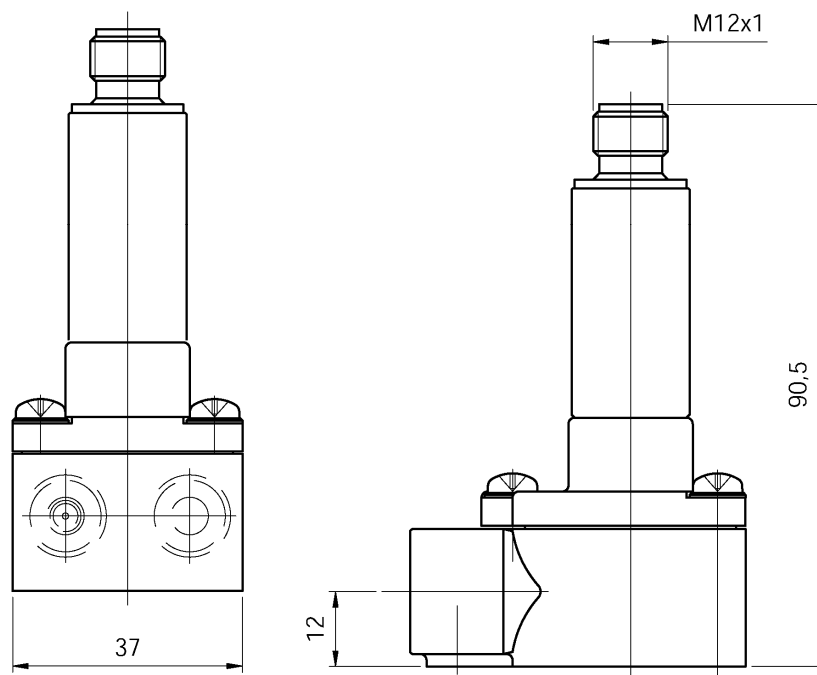
DTK-...0400



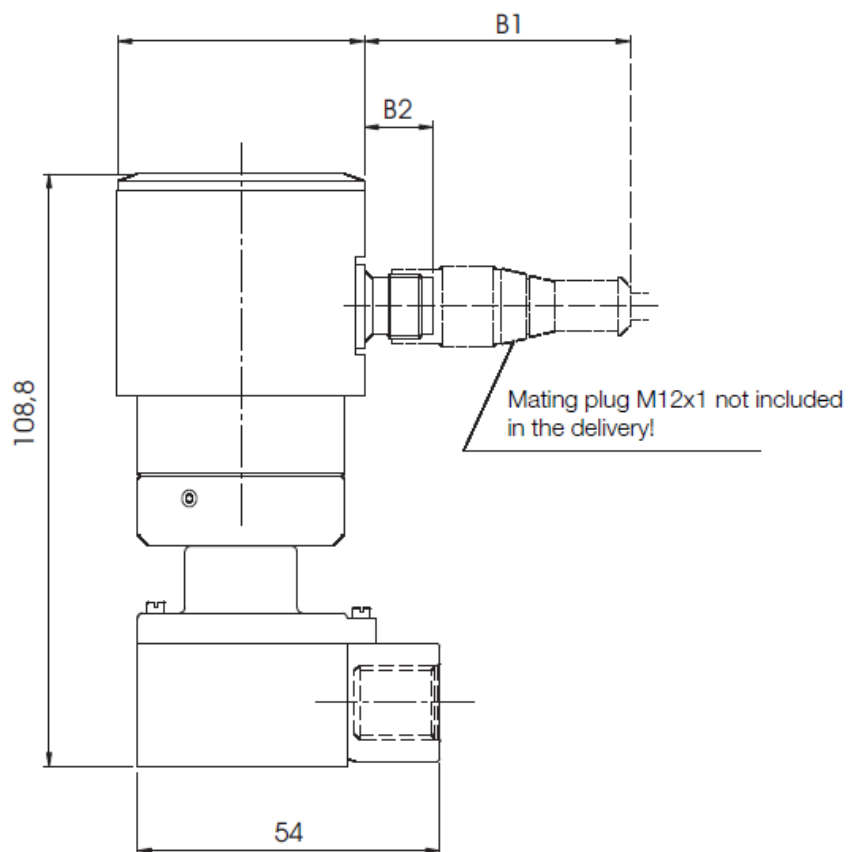
DTK-...0400 with AUF-4000



DTK-...F3...; DTK-...L3...



DTK...with compact electronic



11. EU Declaration of Conformance

We, KOBOLD Messring GmbH, Hofheim-Ts, Germany, declare under our sole responsibility that the product:

Low Volume Rotating Vane Flow Meter Model: DTK-...

to which this declaration relates is in conformity with the standards noted below:

EN 61000-6-4:2011

Electromagnetic compatibility (EMC) - Part 6-4: Generic standards - Emission standard for industrial environments

EN 61000-6-2:2006

Electromagnetic compatibility (EMC) - Part 6-2: Generic standards - Immunity for industrial environments

EN 61010-1:2010

Safety requirements for electrical equipment for measurement, control and laboratory use - Part 1: General requirements

EN 60529:2014

Degrees of protection provided by enclosures (IP Code)

EN 50581:2012

Technical documentation for the assessment of electrical and electronic products with respect to the restriction of hazardous substances

Also the following EC guidelines are fulfilled:

2014/30/EU

EMC Directive

2014/35/EU

Low Voltage Directive

2011/65/EU

RoHS (category 9)



H. Peters
General Manager



M. Wenzel
Proxy Holder

Hofheim, 11. Jan. 2018