

**Operating Instructions
for
Compact Calorimetric
Flow Monitor**

Model: KAL-D



1. Contents

1. Contents.....	2
2. Note	3
3. Instrument Inspection.....	3
4. Regulation Use	4
5. Operating Principle.....	5
6. Mechanical Connection.....	5
7. Electrical Connection	6
8. Indicators and Controls	7
9. Signal Output	8
9.1. Output function	8
10. Commissioning.....	9
11. Error Messages.....	11
12. Maintenance	11
13. Technical Information.....	12
14. Order Codes	12
15. Dimensions	13
16. Disposal	14
17. EU Declaration of Conformance	15
18. UK Declaration of Conformity.....	16

Manufactured and sold by:

KOBOLD Instruments Inc.
1801 Parkway View Drive
Pittsburgh PA 15205-1422
Tel.: 412-788-2830
Fax: 412-788-4890
E-Mail: info.@koboldusa.com
Internet: <http://koboldusa.com>

2. Note

Please read these operating instructions before unpacking and putting the unit into operation. Follow the instructions precisely as described herein.

The instruction manuals on our website www.koboldusa.com are always for currently manufactured version of our products. Due to technical changes, the instruction manuals available online may not always correspond to the product version you have purchased. If you need an instruction manual that corresponds to the purchased product version, you can request it from us free of charge by email (info.@koboldusa.com) in PDF format, specifying the relevant invoice number and serial number. If you wish, the operating instructions can also be sent to you by post in paper form against an applicable postage fee.

The devices are only to be used, maintained and serviced by persons familiar with these operating instructions and in accordance with local regulations applying to Health & Safety and prevention of accidents.

By usage in machines, the measuring unit should be used only when the machines fulfil the EC-machine guidelines.

3. Instrument Inspection

Instruments are checked before dispatch and should arrive in perfect condition. In case of damage, please inform your local Kobold office or if you had the parcel delivered by a parcel service, contact your parcel service / forwarding agent immediately, since they are responsible for damages during transit. Should the damage to a device be visible, we recommend a thorough inspection of the delivery packing.

Scope of delivery:

- Flow Monitor Model KAL-D



Caution! The flow ranges specified in the table above have been calculated for each pipe diameter based on the known velocity range. It must be noted, that flow in pipes is non-uniform across the pipe cross section, and approaches zero at the pipe wall. Depending on the pipe size, immersion depth of the sensor and flow profile it may lead to significant deviations of the flow ranges above.

5. Operating Principle

The operation of the model KAL-D electronic switch monitor is based on the calorimetric principle. The sensor tip is heated to a few degrees above the temperature of the flowing liquid. When the liquid is flowing, the heat generated in the sensor is transferred to the liquid, i.e. the sensor is cooled. The cooling time is an accurate measure of the flow speed. The sensor signal is compared with the reference data (setpoint) stored in a micro-controller. The micro-controller allows easy calibration and ideal temperature compensation to account for variations in liquid temperature.

6. Mechanical Connection

Before installation

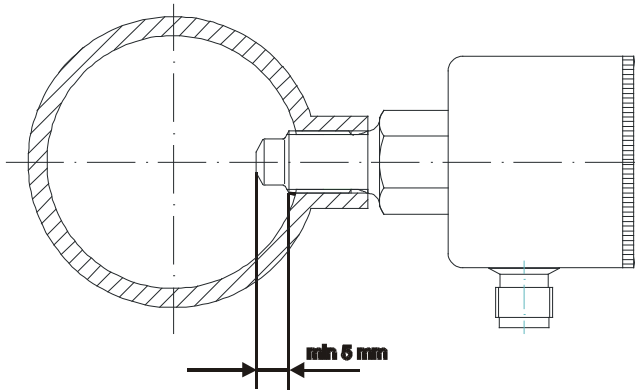
- Make sure that the actual flow velocity corresponds to the switching range of the device.
- Make sure that the maximum operating pressures and service temperatures specified for the device will not be exceeded.
(See 13 Technical Information)

Installation

Mount the sensor in the pipe and ensure that the tip is covered by the liquid to be monitored. The sensor tip must extend at least 5 mm (better > 5 mm) into the pipe (see below).

Mounting position

The sensor can be mounted in any position, provided that the pipe is completely filled with liquid. The installation position must be free of swirling and turbulence (the recommended inlet and outlet pipe runs 5x the diameter of the pipe with straight pipe sections immediately upstream and downstream of the sensor). If it is expected that the liquid will leave deposits in the piping, the following mounting position is recommended (see figure below).



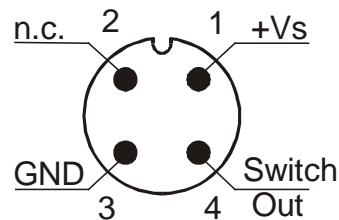
7. Electrical Connection



Caution! Make sure that the electrical supply lines are de-energized when connection the device! Make sure the supply voltage of your system is the same as that specified on the device nameplate.

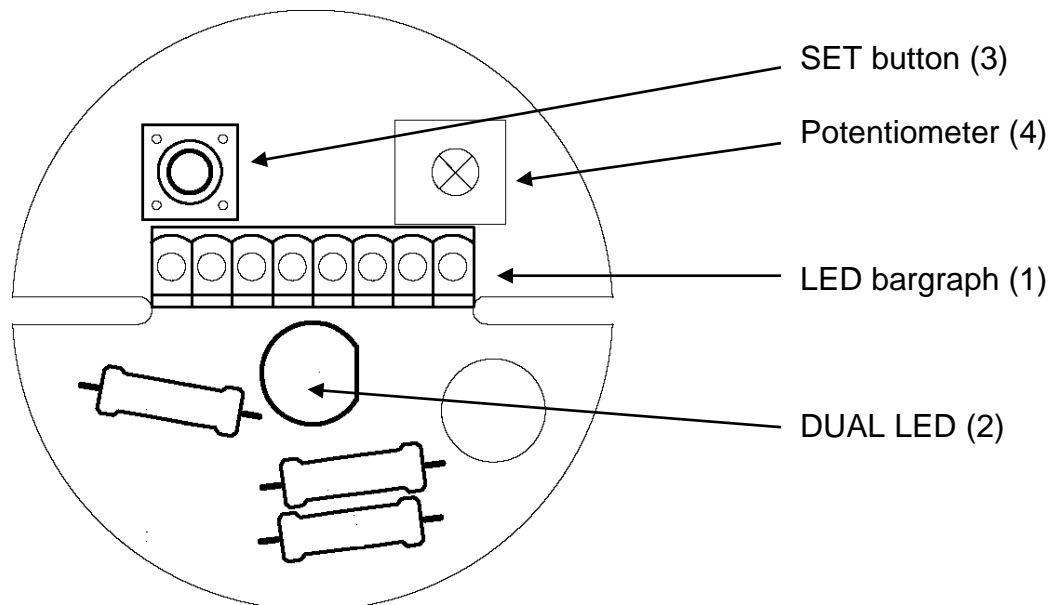
- Connect the KAL-D according to following wiring diagram.
- Switch on the operating voltage of $24 V_{DC} \pm 10\%$ (see 12 Technical Information).
- Check the electronics for proper function (switching-point LED must be blinking)
- Adjust the setting of the flow monitor (see 10 Commissioning).

Pin 1	+Vs / 24V _{DC}
Pin 2	n.c.
Pin 3	GND / 0V _{DC}
Pin 4	Switch out



8. Indicators and Controls

(View with cover removed)



LED bargraph display (1)

The strip of LEDs (8 segments) displays the flow value

- The flow value is shown of the strip of LEDs, starting at the left.

The blinking LED displays the switching point:

- When flow is at the flow setpoint, the switching-point LED starts to blink more rapidly.

DUAL LED (2)

The DUAL LED display indicates the following:

- The switching point:
Red = ALAM (actual flow below setpoint)
Green = FLOW (actual flow above setpoint)

In the standard operating mode, the DUAL LED is constantly illuminated. Bi-

- Setup mode display
If an adjustment (zero or span) is being performed, the DUAL LED blinks green.
- Error message display
In the event of an error message, the DUAL LED blinks red.

SET button (3)

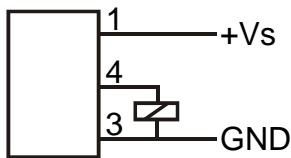
Press the SET button to start the adjustment (zero or span) procedure.

Potentiometer for setting the switching point (4)

The potentiometer is used to set the switching point. Depending on the potentiometer setting, the location of the blinking LED on the LED strip will change to indicate that the setpoint, relative to actual flow is being changed. The potentiometer is also used during the setup mode.

9. Signal Output

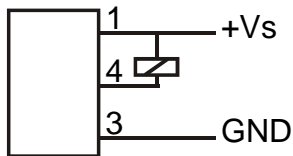
PNP output (type of contact P or R)



The PNP transistor output either +24 V_{DC} or is high resistance (open circuit). The maximum output current is 400 mA.

The reference load is typically connected between the output and ground GND (GROUND = 0 V_{DC})

NPN output (type of contact N or M)



The NPN transistor output either grounds the output pin (GROUND = 0 V_{DC}) or is high resistance (open circuit). The maximum output current is 400 mA.

The load is typically connected between the output and +24 V_{DC}.

9.1. Output function

Normally Open (N/O) contact (type of contact: N or P)

The N/O contact switches the output to the low-resistance state ("switch" closed) whenever the flow is above the switching point.

The N/O contact switches the output to the high-resistance state ("switch" open) whenever flow is below the switching point.

	PNP	NPN	DUAL LED
actual flow > setpoint	"switch" closed 24 V DC at output	"switch" closed Ground at output	green
actual flow < setpoint	"switch" open high impedance	"switch" open high impedance	red
power supply failure	"switch" open high impedance	"switch" open high impedance	off

Since the N/C switch function will go to an alarm (open switch) state on a loss of power, it is the preferred switch logic when a failsafe or loss of power is desired.

Normally Closed (N/C) contact (type of contact M or R)

The N/C contact switches the output to the low-resistance state ("switch" closed) whenever the flow is below the switching point.

The N/C contact switches the output to the high-resistance state ("switch" open) whenever the flow is above the switching point.

	PNP	NPN	DUAL LED
actual flow > setpoint	"switch" open high impedance	"switch" open high impedance	green
actual flow < setpoint	"switch" closed 24 VDC at output	"switch" closed Ground at output	red
power supply failure	"switch" open high impedance	"switch" open high impedance	off

10. Commissioning

When used in machinery in accordance with EU Directive 89/392/EEC, this device may not be placed in operation until it has been determined that the machine in use complies with this directive.

First install the sensor (complete the "Mechanical connection"), then connect the electrical lines (complete the "Electrical connection"). After these steps are completed, the zero, span and setpoint adjustments may be made.

To make the settings on the flow monitor, unscrew the cover to access the controls.

Adjustment

a) No-flow (zero) adjustment

- Stop the flow of the liquid in the piping in which the sensor is installed. It is important that the pipe is filled with liquid and the sensor tip be immersed in the liquid. There should be no bubbles around the sensor tip.
- Rotate the potentiometer (4) counterclockwise as far as it will go (to the left-hand stop).
- Now press the SET button. The DUAL LED blinks green.
- Do not make any changes (potentiometer setting, etc.) while the DUAL LED is blinking. This adjustment phase will last approx. 5-15 sec.
- When the DUAL LED stops blinking, the zero adjustment is set. The device now switches automatically to the monitoring mode. The display must indicate no flow. The LED strip should not be illuminated; only the first LED in the strip should be blinking.
- The flow monitor is now ready for operation.

b) Measuring range (span) adjustment

The flow monitor is set at the factory for the greatest possible range of flow speed (2 m/s). At lower flow speeds, not all 8 LEDs will illuminate. To achieve finer monitoring resolution, the measuring range can be adjusted to better fit the actual flow speed.

- Rotate the potentiometer clockwise as far as it will go (to the right-hand stop). The extreme right-hand LED in the LED bargraph will blink. Set the desired maximum system flowrate.
- Now press the SET button. The DUAL LED blinks green.
- Do not make any changes (potentiometer setting, etc.) while the DUAL LED is blinking. This adjustment phase will last approx. 5-15 sec.
- The span adjustment procedure is now complete. The device now switches automatically to the monitoring mode. This adjustment has set the device measuring range so that it now extends across the entire LED bargraph at the maximum system flow.
- The adjustment procedure is now complete. It may be repeated as often as necessary.

c) Measuring mode

After adjustment, the flow monitor is once again in measuring mode. The flow is constantly monitored and the actual value of the flow speed is displayed on the LED bargraph.

Switching point setting

The potentiometer is now used to set the switching point (threshold) of the flow switch. The switching point is displayed as a blinking LED on the bargraph. If the flow rate increases to the point that illuminated LEDs on the bargraph (actual flow value) reaches the position of the blinking LED (setpoint), the flow monitor switches over from ALARM to FLOW. This can be seen at the display: the DUAL LED that was showing a steady red light now switches to a steady green light. The output is also switched at the same time.

Slowly blinking
switching point LED (setpoint)



⊗ DUAL LED illuminated red

actual flow < setpoint (no flow)

Alarm status

no LEDs lit = no flow

Slowly blinking
switching point LED (setpoint)



light strip actual value

⊗ DUAL LED illuminated red

actual flow < flow below set-point

Alarm status

Actual flow below setpoint

Quickly blinking
switching point LED (setpoint)



light strip actual value

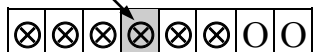
⊗ DUAL LED illuminated green

actual flow = setpoint

output switches

Actual flow has just reached setpoint

Slowly blinking
switching point LED (setpoint)



light strip actual value

⊗ DUAL LED illuminated green

actual flow > setpoint

Flow status (ideal conditions)

This is the most desirable status.

After the settings are completed, screw the cover tightly back on the housing (make sure that the window for viewing the LED bargraph is aligned with the bargraph).

11. Error Messages

The sensor element itself is monitored for short circuits, open circuits and electronics failure. Should a fault occur, this will be indicated by a red blinking light at the DUAL LED and the LED bargraph display. In this event, contact the KOBOLD service department.

12. Maintenance

This device is maintenance-free. The sensor tip should be checked for the presence of mineral deposits (lime, etc.) and cleaned if necessary.

13. Technical Information

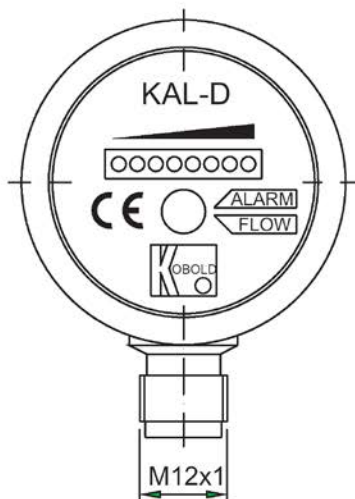
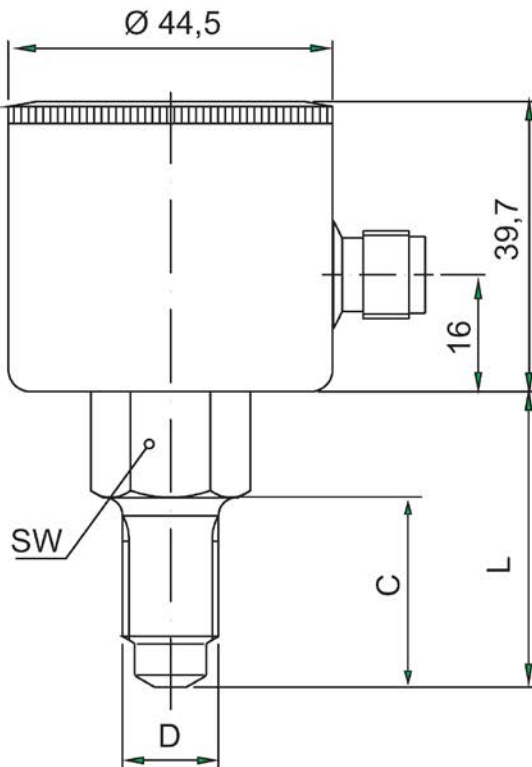
Power supply:	24 V _{DC} ±10 %
Power consumption:	max. 3.6 W
Ambient temperature:	-20 to +60 °C
Medium:	water, not suitable for oil or fuels
Liquid temperature:	-20 to +80 °C
CIP compatible:	max. 140 °C without function
Max. pressure:	40 bar
Time delay before availability:	max. 12 s
Switching range:	approx. 0.04 m/s to 2 m/s
Temperature gradient:	Unlimited
Response time:	5.6 to 12 s, typical
Flow indication:	Trend indication with 8-position LED bargraph display
Switching point setting:	With potentiometer, optical indicator on LED strip display (blinking LED)
Output status indicator:	1 dual LED
Switching output:	Semiconductor, PNP or NPN, max. 400 mA, short-circuit-proof, N/O or N/C contact, set at the factory
Electrical connection:	M12 x 1 plug connector
Protection type:	IP 65NEMA 4X
Housing material:	Housing: stainless steel 1.4301 Housing cover: stainless steel 1.4301
Process connection:	G 1/4, G 1/2, 1/4 NPT, 1/2 NPT M12 x 1, stainless steel 1.4404

14. Order Codes

Example: KAL-D1408 N ST3

Connection	Model	Type of contact	Electrical connection
G 1/4	KAL-D1408	..N=NPN/N/O contact ..P=PNP/N/O contact ..M=NPN/N/C ..R=PNP/N/C	...ST3= plug connector M 12x1; 24 V _{DC}
G 1/2	KAL-D1415		
1/4 NPT	KAL-D5408		
1/2 NPT	KAL-D5415		
M 12x1	KAL-D0412		

15. Dimensions



D	C [mm]	AF [mm]	L
M 12x1	23	19	40,5
G 1/4	26	19	40,5
G 1/2	43	27	55,5
1/4 NPT	26	19	40,5
1/2 NPT	43	27	55,5

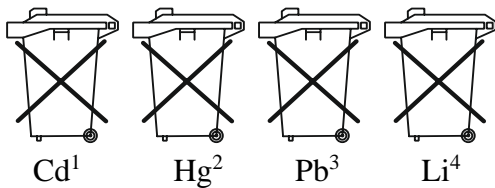
16. Disposal

Note!

- Avoid environmental damage caused by media-contaminated parts
- Dispose of the device and packaging in an environmentally friendly manner
- Comply with applicable national and international disposal regulations and environmental regulations.

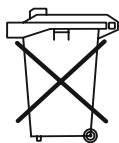
Batteries

Batteries containing pollutants are marked with a sign consisting of a crossed-out garbage can and the chemical symbol (Cd, Hg, Li or Pb) of the heavy metal that is decisive for the classification as containing pollutants:



1. „Cd" stands for cadmium
2. „Hg" stands for mercury
3. „Pb" stands for lead
4. „Li" stands for lithium

Electrical and electronic equipment



17. EU Declaration of Conformance

We, Kobold Messring GmbH, Hofheim-Ts, Germany, declare under our sole responsibility that the product:

Compact Calorimetric Flow Monitor Model: KAL-D

to which this declaration relates is in conformity with the standards noted below:

EN 61000-6-4:2011

Electromagnetic compatibility (EMC) - Part 6-4: Generic standards - Emission standard for industrial environments

EN 61000-6-2:2005

Electromagnetic compatibility (EMC) - Part 6-2: Generic standards - Immunity for industrial environments

EN IEC 63000:2018

Technical documentation for the assessment of electrical and electronic products with respect to the restriction of hazardous substances

Also, the following EC guidelines are fulfilled:

2014/30/EU

2011/65/EU

2015/863/EU

EMC Directive

RoHS (category 9)

Delegated Directive (RoHS III)



H. Peters
General Manager



M. Wenzel
Proxy Holder

Hofheim, 04 Febr. 2021

18. UK Declaration of Conformity

We, KOBOLD Messring GmbH, Hofheim-Ts, Germany, declare under our sole responsibility that the product:

Compact Calorimetric Flow Monitor Model: KAL-D

to which this declaration relates is in conformity with the standards noted below:

BS EN 61000-6-4:2007+A1:2011

Electromagnetic compatibility (EMC). Generic standards. Emission standard for industrial environments

BS EN 61000-6-2:2005

Electromagnetic compatibility (EMC). Generic standards. Immunity for industrial environments

BS EN IEC 63000:2018

Technical documentation for the assessment of electrical and electronic products with respect to the restriction of hazardous substances.

Also, the following UK guidelines are fulfilled:

S.I. 2016/1091

Electromagnetic Compatibility Regulations 2016


S.I. 2012/3032

The Restriction of the Use of Certain Hazardous Substances in Electrical and Electronic Equipment Regulations 2012

Hofheim, 04 Febr. 2021



H. Peters
General Manager



M. Wenzel
Proxy Holder