



Electronic Flow Monitor for water-based liquids



measuring
•
monitoring
•
analysing

KAL-K



- Range: approx. 4 ... 200 cm/s
- p_{max} : 100 bar
- Temperature of medium: -20 ... +80 °C
Option: 0 ... +120 °C
- Process connection:
G 1/4, G 1/2, G 3/4
M12x1, 1/4" NPT, 1/2" NPT, 3/4" NPT
Tri-Clamp®
- Material sensor:
1.4305; 1.4301; 1.4404; 1.4571
- Intelligent temperature compensation
- No moving parts
- Minimal pressure loss

SS

KOBOLD companies worldwide:

AUSTRALIA, AUSTRIA, BELGIUM, BULGARIA, CANADA, CHINA, CZECHIA, FRANCE, GERMANY, GREAT BRITAIN, HUNGARY, INDIA, INDONESIA, ITALY, MALAYSIA, MEXICO, NETHERLANDS, PERU, POLAND, REPUBLIC OF KOREA, RUSSIA, SPAIN, SWITZERLAND, THAILAND, TUNISIA, TURKEY, USA, VIETNAM

KOBOLD Messring GmbH
Nordring 22-24
D-65719 Hofheim/Ts.
Head Office:
+49(0)6192 299-0
+49(0)6192 23398
info.de@kobold.com
www.kobold.com

Method of operation

The model KAL-... electronic flow monitor continuously monitors water-based liquids. It is suited for securely monitoring flows with minimum pressure loss. Sensitivity to soiling is significantly reduced by means of a single-part sensor.

Theory of operation

The operation of the model KAL-... electronic flow monitor is based on the calorimetric principle. The end face of the sensor is heated to a few degrees above the temperature of the flow medium. When the medium flows, the heat generated in the sensor is transferred to the medium, ie, the sensor is cooled. The cooling procedure is an accurate measure of the flow velocity.

The sensor signal is compared with the reference data stored in a microcontroller. An alarm signal and/or an analogue signal (4-20mA) that is proportional to the flow velocity is output if the actual flow velocity deviates from the desired flow velocity. The microcontroller allows the flow indicator to be easily calibrated and the temperature to be compensated.

Features

- Optimal temperature compensation
- Intelligent switching
- Measuring range adjustment
- No moving parts
- Easy to install and commission
- Minimal pressure loss
- Easy to use

Measuring /switching ranges

NW [mm]	approx. measuring range l/min water	NW [mm]	approx. measuring range l/min water
8	0.12 - 6.0	40	3.0 - 150
10	0.19 - 9.4	50	4.7 - 235
15	0.42 - 21.8	60	6.8 - 340
20	0.75 - 37.7	80	12.0 - 603
25	1.18 - 59.0	100	18.8 - 942
30	1.7 - 84.8	150	42.4 - 2120

Important: The flow velocity has been converted for the nominal pipe size for the specified measuring ranges. Please note that the flow velocity approaches zero in the pipeline in the direction of the wall. Depending on the nominal pipe size, depth of engagement of the sensor, and flow profile, the deviations from the specified flow rates can be of considerable magnitude.

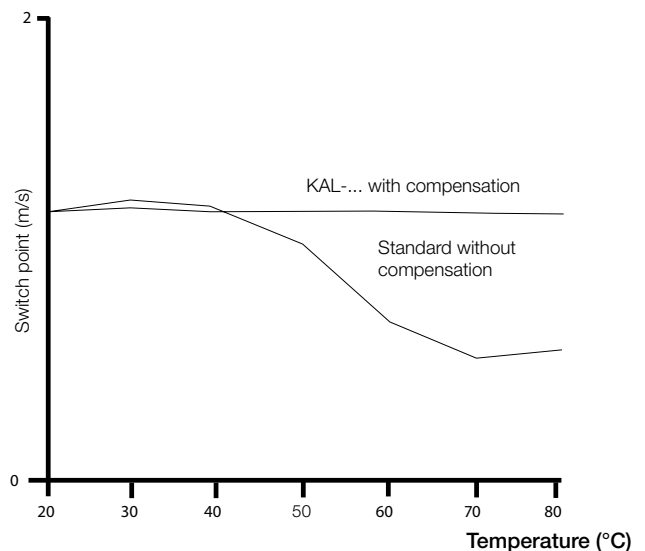
Temperature compensation

The temperature of the KOBOLD flow monitor is compensated with a microcontroller. All data required for temperature compensation are stored in EEPROMS, and are maintained for at least 10 years after power failure. The instruments may be easily adjusted by the customer to suit process conditions.

The measured flow rate is compared with the zero-point adjustment values stored in the EEPROM and the stored characteristic curves. The data is processed by the microcontroller and controls the alarm signal or the analogue output.

The sensor switch point is absolutely consistent, as the sensor has been adapted to suit the process data.

Drift of the switch point by temperature influence



Range of models

Compact devices

- KAL-A... Flowmeter with analogue output (4-20 mA)
- KAL-AK Flowmeter /-monitor with analogue output (4-20 mA) and alarm signal (PNP/NPN, N/O contact)
- KAL-K... Flow indicator alarm signal (PNP/NPN, N/O contact)

Separate version

- KAL-... Sensor
- KAL-E1... Electronics with relay contact for flow monitoring
- KAL-E2... Electronics with relay contact and trend display for flow monitoring
- KAL-E3... Electronics with relay contact for flow and temperature monitoring trend display for flow monitoring



Technical Details (electronics)

Case material: glass-fibre-reinforced polyamide
 Sensor material: Stainless steel (see order details)
 Power supply: 24 V_{DC} ±10 %
 110 V_{DC} ±30 %, 110, 230 V_{AC} -20/+10 %
 Power input: max. 4.5 W (typically 1,2 W)
 max. 3.6 W for 24 V_{DC}
 Ambient temperature: -20 °C ... +60 °C
 Medium: water-based (water content at least 90 %); not suitable for oils and fuels
 Temperature of medium: -20 °C ... +80 °C (standard version)
 0 °C ... +120 °C (high temp. version)
 CIP compatibility: max. 140 °C non-operating
 Max. pressure: 100 bar
 Warm up time: max. 12 s
 Switching range: approx. 4 cm/s to 200 cm/s
 Temperature gradient: unlimited
 Response time: 5.6 ... 12 s typically
 on request: 2- 5.6 s (KAL-KS...)
 Flow rate indication: trend display with 8-digit LED chain
 Switch point adjustm.: with potentiometer, optical indication
 on LED chain with flashing LED
 Output indicator: LED, red = alarm,
 green = flow OK
 Electr. connection: cable gland M16x1.5; connector
 M12x1 (only 24 V_{DC} version)
 circular connector 1/8" with socket
 (230/115 V-versions) or
 connector M12x1 with socket and
 2 m cable, 24 V_{DC} version

Switch output:
 24 V_{DC} version: semiconductor, PNP/NPN
 switchable, max. 400 mA,
 short-circuit proof
 relay max. 0,2 A /110 V_{DC}
 110 V_{DC} version: relay max. 5 A
 110 V_{AC}, 230 V_{AC} version: actual value ≥ setpoint value;
 (standard setting: green LED
 is energized) output switched
 available as option
 N/O function: IP 65
 N/C function:
 Protection:



Order Details (Example: KAL-K1215 S PG 3)

Version	Connection	Material stainless steel / version					Type of contact	Electrical connection	Power supply
		1.4301		1.4305	1.4571				
		Standard Version	Extended version	Standard Version	Standard Version	Extended version			
Standard Version (-20...+80°C)	G 1/4	KAL-K1308	-	-	KAL-K1408 ¹⁾	-	S = N/O contact O = N/C contact	PG = cable gland M16x1.5 ST = connector M12x1 ²⁾ SK = circular connector with socket	0 = 230 V _{AC} 1 = 110 V _{AC} 3 = 24 V _{DC} 6 = 110 V _{DC}
	G 1/2	KAL-K1315	KAL-K6315	KAL-K1215	KAL-K1415	KAL-K6415			
	G 3/4	KAL-K1320	KAL-K6320	-	KAL-K1420 ¹⁾	KAL-K6420 ¹⁾			
	M 12x1	KAL-K0312	-	-	-	-			
	1/4" NPT	KAL-K5308	-	-	KAL-K5408 ¹⁾	-			
	1/2" NPT	KAL-K5315	KAL-K8315	-	KAL-K5415	KAL-K8415			
Version for high temperature (0...+120°C)	3/4" NPT	KAL-K5320	KAL-K8320	-	KAL-K5420 ¹⁾	KAL-K8420 ¹⁾	S = N/O contact O = N/C contact	PG = cable gland M16x1.5 ST = connector M12x1 ²⁾ SK = circular connector with socket	0 = 230 V _{AC} 1 = 110 V _{AC} 3 = 24 V _{DC} 6 = 110 V _{DC}
	G 1/4	KAL-KH1308	-	-	KAL-KH1408 ¹⁾	-			
	G 1/2	KAL-KH1315	KAL-KH6315	KAL-KH1215	KAL-KH1415	KAL-KH6415			
	G 3/4	KAL-KH1320	KAL-KH6320	-	KAL-KH1420 ¹⁾	KAL-KH6420 ¹⁾			
	M 12x1	KAL-KH0312	-	-	-	-			
	1/4" NPT	KAL-KH5308	-	-	KAL-KH5408 ¹⁾	-			
	1/2" NPT	KAL-KH5315	KAL-KH8315	-	KAL-KH5415	KAL-KH8415			
3/4" NPT	KAL-KH5320	KAL-KH8320	-	KAL-KH5420 ¹⁾	KAL-KH8420 ¹⁾				
Tri-Clamp®, DIN 32676	-	-	-	KAL-4340S ³⁾	-	N/O contact	Cable gland 1/2" NPT	24 V _{DC}	

¹⁾ Stainless steel hexagon 1.4301 ²⁾ For 24 V_{DC} only ³⁾ Stainless steel 1.4404

Extended version (special length) only with 1/2" and 3/4" (see Dimensions page 6)



Electronic Flow Monitor - Separate Version Model KAL-E(H)

Technical Details (sensor)


Material:	case: see order details cable: PVC option (KAL-...HT): silicone cable gland: brass nickel-plated, Pg 7
Cable:	2 x 0,56 mm ² , length = 2 m max. line length 100 m
Switching range:	4 cm/s ... 200 cm/s
Temperature of medium:	-20 °C ... +80 °C, option (KAL-...HT): 0 °C ... +120 °C
Ambient temperature:	-20 °C ... +80 °C, KAL-...HT: 0 °C ... +120 °C
Max. pressure:	100 bar (KAL-1132 and KAL-1140: 25 bar)
Protection:	IP 68
Approval:	ATEX: Ex II 1G Ex ia IIB T4 Ga IECEX: Ex ia IIB T4 Ga

Important! For cable lengths >10 m, the client can increase the absolute switching accuracy manually by adjustment (cable resistance must be considered).


Electronics Model KAL-E(H)..

Power input:	max. 3.6 W
Switch capacity:	max. 250 V, max. 3 A
Switch point adjustm.:	with Potentiometer
Switching function:	changeover, on rising flow (terminals 9 +10 closed)
Option (KAL-E3.):	changeover, on rising temperature below setpoint, LED is energized (terminals 12 + 13 closed)
Output:	changeover relay
Output indicator:	with LED
Warm up time:	max. 12 s
Temperature range:	-20 ... +80 °C
Accuracy:	temperature limit value $\pm 2\%$
Repeatability:	approx. 2%
Response time:	5 ... 12 s (typically)
DIN rail fitting:	DIN EN 50022 and DIN 46277
Protection:	case: IP 40, terminals: IP 20
Case:	polycarbonate, L75 x W 55 x H 110 mm
Sensor output:	short-circuit proof, cable break is detected as flow stoppage
Power failure:	calibration data are store without battery for 10 years
Approval:	ATEX: Ex II (1)G [Ex ia Ga] IIB IECEX: [Ex ia Ga] IIB

Order Details sensor (example: KAL-1308 HT)

	Connection	Order numbers				Electrical connection/ version
		Sensor with insertion fitting		Sensor with inline fitting		
		1.4301	1.4571	Fitting brass/ Sensor 1.4301	Fitting 1.4301/ Sensor 1.4301	
G ¼	KAL-1308	KAL-1408	KAL-1108	KAL-1208	00 = 2 m PVC cable HT = 2 m Silicone cable YP = PVC cable/ special length YS = Silicone cable/ special length YY = Special cable/ special length Ex = Ex sensor, PVC cable Ex ia IIB T4 Ga (specify cable length)	
G ¾	-	-	KAL-1110	KAL-1210		
G ½	KAL-1315	KAL-1415	KAL-1115	KAL-1215		
G ¾	KAL-1320	KAL-1420	KAL-1120	KAL-1220		
G 1	-	-	KAL-1125	KAL-1225		
G 1 ¼	-	-	KAL-1132	KAL-1232		
G 1 ½	-	-	KAL-1140	KAL-1240		
M 12 x 1	KAL-0312	-	-	-		
¼" NPT	KAL-5308	KAL-5408	KAL-5108	KAL-5208		
¾" NPT	-	-	KAL-5110	KAL-5210		
½" NPT	KAL-5315	KAL-5415	KAL-5115	KAL-5215		
¾" NPT	KAL-5320	KAL-5420	KAL-5120	KAL-5220		

Order Details electronics (example: KAL-E10 (standard) or KAL-EH10 (version for high temperature))

	Field of application	Flow trend display	Temperature monitoring	Supply voltage			
				24 V _{DC}	24 V _{AC}	110 V _{AC}	230 V _{AC}
				Flow	-	-	KAL-E13
Flow	8-LEDs	-	KAL-EH13	KAL-EH12	KAL-EH11	KAL-EH10	
			KAL-E23	KAL-E22	KAL-E21	KAL-E20	
Flow/ Temperature	8-LEDs	-	-20 ... +80 °C	KAL-EH23	KAL-EH22	KAL-EH21	KAL-EH20
			0 ... +120 °C	KAL-E33	KAL-E32	KAL-E31	KAL-E30
[Ex ia Ga] IIB	Flow/ Temperature	8-LEDs	-20 ... +80 °C	-	KAL-E32Ex	-	KAL-E30Ex

Technical Details

Case material: glass-fibre-reinforced polyamide
 Sensor material: stainless steel (see order details)
 Power supply: 24 V_{DC} ±20 %
 Power input: max. 3,6 W (typically 1,2 W)
 Ambient temperature: -20 °C ... +60 °C
 Medium: water-based (water content at least 90%); not suitable for oils and fuels
 Temperature of medium: -20 °C ... +80 °C
 Max. pressure: 100 bar
 Warm up time: max. 12 s
 Measuring range: approx. 4 cm/s to 200 cm/s
 Temperature gradient: unlimited
 Response time: 5.6 ... 12 s
 Accuracy: ±10% of full scale
 Repeatability: ±1 % of full scale
 Signal output: 4 - 20 mA
 Flow rate indication: trend display with 8-digit LED chain
 Protection: IP 65



For KAL-AK... only

Switching function: N/O contact
 Switch point adjustment: with potentiometer, optical indication on LED chain with flashing LED
 Output indicator: LED, red = alarm, green = flow OK
 Switching output: semiconductor, PNP/NPN switchable, max. 400 mA, short-circuit proof

Electrical connection

KAL-A...		KAL-AK...			
4		4...20 mA	4		4...20 mA
3		+24 V _{DC}	3		+24 V _{DC}
2		Ground	2		Ground
1			1		PNP/NPN-Switch

Order Details (example: KAL-A1308A4 PG)

Output/ contact	Connection	Order numbers for materials			Electr. connection
		1.4301	1.4305	1.4571	
4-20 mA/ without contact	G ¼	KAL-A1308A4	-	KAL-A1408A4 ¹⁾	PG = cable gland M16x1,5 ST = connector M12x1
	G ½	KAL-A1315A4	KAL-A1215A4	KAL-A1415A4	
	G ¾	KAL-A1320A4	-	KAL-A1420A4 ¹⁾	
	M 12 x 1	KAL-A0312A4	-	-	
	¼" NPT	KAL-A5308A4	-	KAL-A5408A4 ¹⁾	
	½" NPT	KAL-A5315A4	-	KAL-A5415A4	
	¾" NPT	KAL-A5320A4	-	KAL-A5420A4 ¹⁾	
	Tri-Clamp®, DIN 32676	-	-	KAL-7340S ²⁾	Cable gland ½" NPT
4-20 mA/ N/O contact NPN/PNP switchable	G ¼	KAL-AK1308AS	-	KAL-AK1408AS ¹⁾	PG = cable gland M16x1,5 ST = connector M12x1
	G ½	KAL-AK1315AS	KAL-AK1215AS	KAL-AK1415AS	
	G ¾	KAL-AK1320AS	-	KAL-AK1420AS ¹⁾	
	M 12 x 1	KAL-AK0312AS	-	-	
	¼" NPT	KAL-AK5308AS	-	KAL-AK5408AS ¹⁾	
	½" NPT	KAL-AK5315AS	-	KAL-AK5415AS	
	¾" NPT	KAL-AK5320AS	-	KAL-AK5420AS ¹⁾	
	Tri-Clamp®, DIN 32676	-	-	KAL-7340SP ²⁾	Cable gland ½" NPT

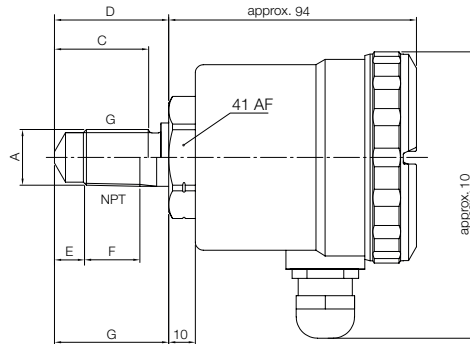
¹⁾Stainless steel hexagon 1.4301 ²⁾Stainless steel 1.4404

Dimensions [mm]

KAL-K..., KAL-A(K)...

A	C	D	E	F	G
G ¼	23	29	6	-	-
G ½	36	43	9	-	-
G ¾	40	46	12	-	-
M12 x 1	22	26	6	-	-
¼" NPT	-	-	6	12	29
½" NPT	-	-	18	15	43
¾" NPT	-	-	16	19	39

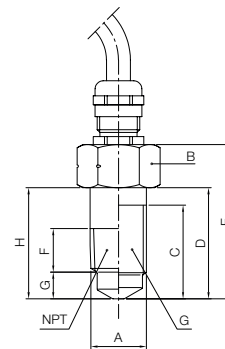
Special length "D" with G ½ and G ¾ from 71 mm
 Special length "E" with ½" NPT and ¾" NPT from 57 mm



KAL-... Sensor

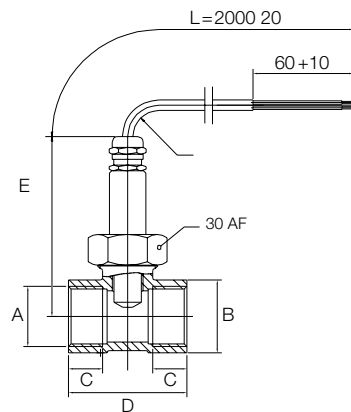
A	B	C	D	E	F	G	H
G ¼	19 AF	23	26	43	-	-	-
G ½	27 AF	36	43	58	-	-	-
G ¾	32 AF	39	43	58	-	-	-
M12 x 1	19 AF	23	23	43	-	-	-
¼" NPT	19 AF	-	-	43	12	5.5	26
½" NPT	27 AF	-	-	58	20	11	43
¾" NPT	32 AF	-	-	58	15	16	43

Special length "D" with G ½ and G ¾ from 71 mm
 Special length "G" with ½" NPT and ¾" NPT from 57 mm



KAL-... with pipe fitting

A	B	C	D	E
G ¼	27 AF	10	50	81
G ¾	27 AF	10	50	81
G ½	27 AF	10	50	81
G ¾	32 AF	15	52	82.5
G 1	39 AF	15	56	85
G 1¼	46 AF	15	50	90
G 1½	55 AF	15	50	92.5



KAL-...4340S with Tri-Clamp®
 KAL-...7340S with Tri-Clamp®

Counterpart according to DIN 32676
 for NW 32/NW40

