

Polysulfone Paddle Switch



measuring
•
monitoring
•
analyzing

PPS



- Bi-directional
- Low Cost
- Easy to Install
- Max. Media Temp: 225 °F
- Fittings: 1" NPT , G1
- Body/Paddle Material: Polysulfone
- Low Pressure Drop



KOBOLD companies worldwide:

ARGENTINA, AUSTRALIA, AUSTRIA, BELGIUM, BULGARIA, CANADA, CHILE, CHINA, COLOMBIA, CZECH REPUBLIC, EGYPT, FRANCE, GERMANY, HUNGARY, INDIA, INDONESIA, ITALY, MALAYSIA, MEXICO, NETHERLANDS, PERU, POLAND, REPUBLIC OF KOREA, ROMANIA, SINGAPORE, SPAIN, SWITZERLAND, TAIWAN, THAILAND, TUNISIA, TURKEY, UNITED KINGDOM, USA, VIETNAM

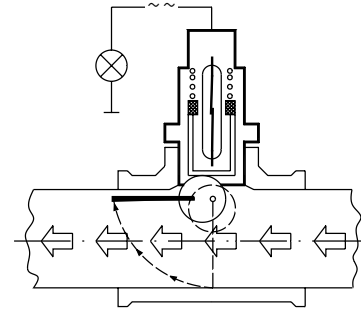
KOBOLD Instruments, Inc.
1801 Parkway View Drive
Pittsburgh, PA 15205
☎ Main Office:
1.800.998.1020
☎ 1.412.788.4890
info@koboldusa.com
www.koboldusa.com



Polysulfone Paddle Switch Model PPS

Description

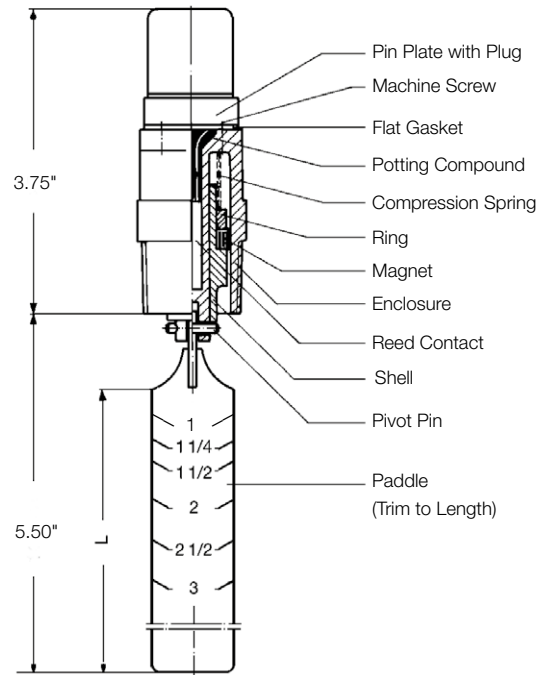
The KOBOLD PPS paddle-type flow switch, for pipes 1" and larger, combines reliability with an economical price. It is also virtually maintenance free. The pressure drop across the instrument is negligible. The switch status is clearly visible by viewing the movement of the red magnet bearer through the transparent polysulfone housing. The PPS is available with either a normally open, normally closed or SPDT reed switch contact. The nominal switching point is determined by the length of the paddle. During installation, the paddle is typically cut at a mark based upon the pipe diameter, equating to the highest possible switch sensitivity and lowest switching point. Installation is easy: Simply insert the PPS into an appropriately sized tee fitting or NPT coupling sealed with PTFE tape. To help minimize turbulence, allow for a straight pipe run of at least three times the pipe diameter on either side of the tee.



Technical Details

Switch Housing:	Polysulfone, Transparent
Internal Wetted Parts:	SS, PVDF, Ceramic Magnet
Process Connection:	1" MNPT, G1
Max. Media Temperature:	225 °F
Max. Operating Pressure:	145 PSI
Maximum Pressure Drop:	1.45 PSI
Repeatability:	±3%
Electrical Connection:	DIN 43 650 w/Cable Gland
Protection Type:	IP65 / NEMA 4
Mounting Orientation:	Paddle: Vertical Piping: Horizontal
Switch:	N/C, N/O or SPDT Reed Switch Hermetically Sealed Magnetically Actuated
Max. Switching Capacity:	230 V _{AC/DC} ; 2 A; 40 W / 40 VA (N/C, N/O contact) 100 V _{DC} ; 0.5 A; 5 W (SPDT contact)

Dimensions



Approximate Switch Points

Nominal Pipe Size	Switch Point (GPM Water)	
	Rising Flow	Falling Flow
1"	9.5	5.0
1 1/4"	9.5	5.0
1 1/2"	14.5	9.5
2"	19.0	9.5
2 1/2"	24.0	14.5
3"	28.5	19.0

Order Details (Example: PPS-1201)

Contact Function	Model Code	
	G1	1" NPT
N/C Contact	PPS-1201	PPS-3205
N/O Contact	PPS-1202	PPS-3206
Changeover Contact	PPS-1203	PPS-3203
Option: Suffix "..C" = 1/2" NPT Conduit Fitting		