

Tilt Level Switch for Solids



measuring
•
monitoring
•
analyzing

NAS



- Easy to Install
- Univeral Usage
- Minimum S.G.: 0.3
- Max. Temperature: 185 °F
- Max. Pressure: 50 PSIG
- Material: PP



KOBOLD companies worldwide:

AUSTRALIA, AUSTRIA, BELGIUM, BULGARIA, CANADA, CHINA, CZECHIA, FRANCE, GERMANY, GREAT BRITAIN, HUNGARY, INDIA, INDONESIA, ITALY, MALAYSIA, MEXICO, NETHERLANDS, PERU, POLAND, REPUBLIC OF KOREA, RUSSIA, SPAIN, SWITZERLAND, THAILAND, TUNISIA, TURKEY, USA, VIETNAM

KOBOLD Instruments, Inc.
1801 Parkway View Drive
Pittsburgh, PA 15205
☎ Main Office:
1.800.998.1020
1.412.788.4890
✉ info@koboldusa.com
www.koboldusa.com

Description

The tilt level switch model NAS has been designed to provide high level measurement in silos or any other type of storage containers located in non-hazardous areas. The NAS can be used in all grain solid applications with acceptable minimum density and grain size.

Its operation is very simple: Vertically suspended at the desired high level point, the NAS will tilt as the grain reaches the unit.

Areas of Application

- Grain Silos
- Cereals
- Animal Feeds

Specifications

Operating Principle: Tilting
Float Material: Copolymer Polypropylene
Switch Capacity: 250 V_{AC}, 50/60 Hz
Cut-Out Power: 20 (8) A
Max. Pressure: 50 PSI
Max. Temperature: 185 °F
Media S.G.: 0.3
Switch: SPDT Mechanical Switch, Connectable as N/O or N/C, Mercury Free
Cable: PVC 3X1 mm²
Cable Length: 16' or 32'
Weight: Approx. 1 lb (462 g) Without Cable
Switching Angle: Approx. +10° to Activate, -10° to Deactivate (Angles vary per installation, comparison use only)
Maximum Grain Size: Approx. 1.2" (30 mm)
Protection Class: IP 68

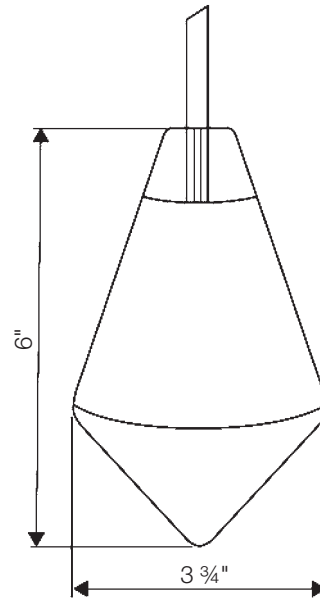
Order Details NAS (Example: NAS-W05)

Model	Switch	Cable Length	Weight (Net)
NAS-..	..W.. = SPDT Switch	..05 = 16 ft	2.28 lb
		..10 = 32 ft	3.55 lb
		..20 = 65 ft	5.07 lb
		..30 = 98 ft	7.61 lb

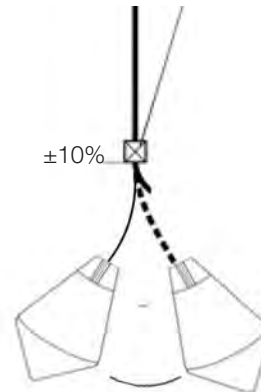
Accessories NAS/NAB

Model	Description	Image
NAS-NAB-BG250	Ballast Weight, Loaded Resin, 0.55 lb	
NKF	Cable Clamp	

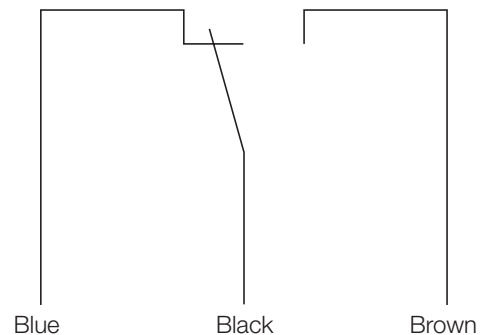
Dimensions



Angle



Electrical Connection



Filling



Note: The NAS Level Sensor must be installed opposite the arrival of the product, and at a certain distance from the wall, in order to ensure optimal movement.

Manual filling of the silos may potentially cause the sensor to malfunction.

NKF



Do not use a cable that could damage the cable and/or the device.
The NKF (cable clamp) is an accessory that allows you to properly attach the electrical cable to the proper height without damaging the cable.