

**Operating Instructions  
for  
Floating Switch**

**Model: NSED / NSEK**



## 1. Contents

---

1. Contents.....	2
2. Note .....	3
3. Instrument Inspection.....	3
4. Regulation Use .....	3
5. Mechanical Connection .....	4
6. Electrical Connection .....	5
6.1 General.....	5
6.2 Connection Examples.....	5
7. Technical Information .....	6
8. Order Codes .....	6
9. Dimensions .....	7
10. Declaration of Conformance .....	8

### Manufactured and sold by:

Kobold Messring GmbH  
Nordring 22-24  
D-65719 Hofheim  
Tel.: +49(0)6192-2990  
Fax: +49(0)6192-23398  
E-Mail: info.de@kobold.com  
Internet: www.kobold.com

## 2. Note

---

Please read these operating instructions before unpacking and putting the unit into operation. Follow the instructions precisely as described herein.

The devices are only to be used, maintained and serviced by persons familiar with these operating instructions and in accordance with local regulations applying to Health & Safety and prevention of accidents.

When used in machines, the measuring unit should be used only when the machines fulfil the EWG-machine guidelines.

## 3. Instrument Inspection

---

Instruments are inspected before shipping and sent out in perfect condition. Should damage to a device be visible, we recommend a thorough inspection of the delivery packaging. In case of damage, please inform your parcel service / forwarding agent immediately, since they are responsible for damages during transit.

### **Scope of delivery:**

The standard delivery includes:

- Floating Switch model: NSED / NSEK
- Operating Instructions

## 4. Regulation Use

---

Any use of the Floating switch, model: NSEK, which exceeds the manufacturer's specifications, may invalidate its warranty. Therefore, any resulting damage is not the responsibility of the manufacturer. The user assumes all risk for such usage.

## 5. Mechanical Connection

---

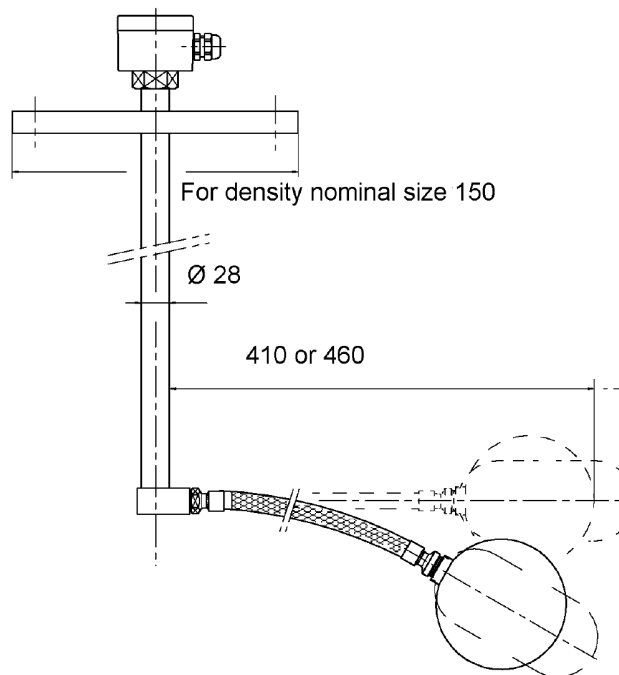
### Before installation:

- Remove all transport packaging and ascertain that no packaging material is left in the instrument
- Please make sure that the allowable maximum operating pressure and operating temperature of the instruments will not be exceeded (see standard material combinations).

We recommend as a precaution for higher power loads, our contact protection relay MSR.

### Mounting

- from inside: with R ½" connection
- from outside: with flange





## 7. Technical Information

---

Application:	For highly aggressive, slurry, slowly floating or hot media
Mounting:	On the outside by means of a flange or on the interior wall with the screw joint R ½" supplied with the unit
Material float:	stainless steel 1.4571
Cable:	2 m silicone cable,
Max. pressure:	NSEK: 15 bar NSED: 6 bar
Max. temperature:	160 °C
Specific weight:	> 0,8kg/dm <sup>3</sup>
Contact:	Mercury double throw contact
Switching performance:	max. 250 V <sub>AC</sub> ; 150 V <sub>DC</sub> ; 800 VA
Switching current:	4 A, 2 A at cos. 0,7
Safety class:	IP 68

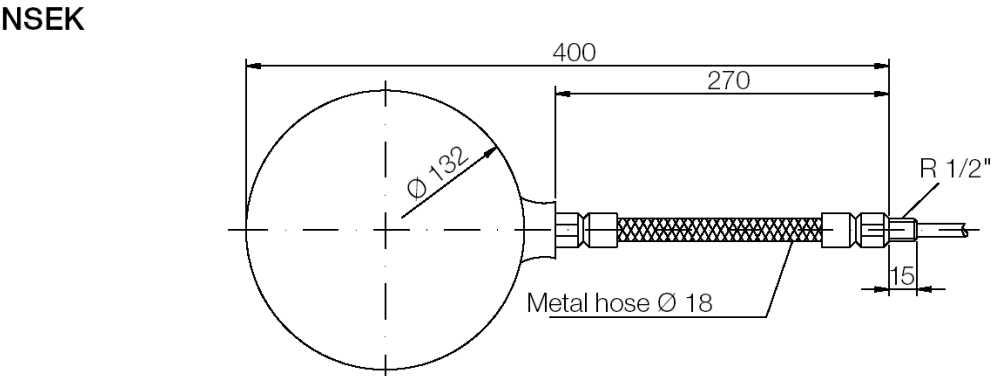
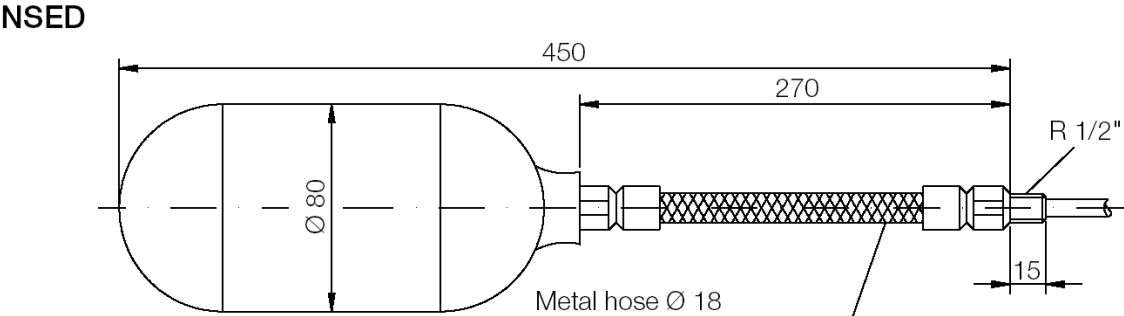
## 8. Order Codes

---

Order codes (Example: **NSED-02 SIL**)

Description	Order no.
cylindrical float, 2 m silicone cable	<b>NSED-02 SIL</b>
ball float, 2 m silicone cable	<b>NSEK-02 SIL</b>

9. Dimensions



## 10. Declaration of Conformance

---

We, KOBOLD Messring GmbH, Hofheim-Ts, Germany, declare under our sole responsibility that the product:

**Floating Switch      Model: NSED / NSEK**

to which this declaration relates is in conformity with the standards noted below:

**EN 61 010              1994-03**

**EN 50178              1998-04**

**EN 60 529              2000-09**

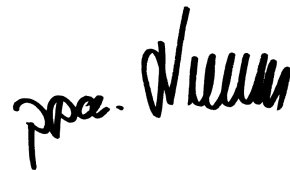
Also the following EWG guidelines are fulfilled:

**2006/95/EC              Low-voltage guideline**  
**2004/108/EC              Electromagnetic**

Hofheim, 18. May 2004



H. Peters



M. Wenzel