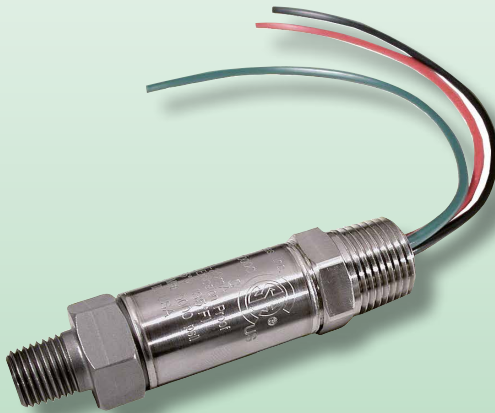


Explosion-Proof Pressure Transmitter



measuring
•
monitoring
•
analyzing

KP46



- Pressure Range: 0...50 PSIG to 0...20000 PSIG
- Media Temperature Range: -55...250 °F
- Approved Explosion Proof for Class 1, Div. 1 and 2 Hazardous Locations
- Process Connection: 1/4" NPT (50 up to 10000 PSIG), 1/2" NPT (15000 & 20000 PSIG)
- Material: 316L Stainless Steel (50 up to 10000 PSIG), 17-4PH (15000 & 20000 PSIG)
- Output: 4...20 mA
- Rugged Factory Sealed Case Withstands Harsh Environments, Shock, and Vibration
- Typical Applications: Natural Gas Compressors, Pipeline Equipment, Well-Head Pressure, and Oil Platform Equipment



KOBOLD companies worldwide:

ARGENTINA, AUSTRALIA, AUSTRIA, BELGIUM, BULGARIA, CANADA, CHILE, CHINA, COLOMBIA, CZECH REPUBLIC, EGYPT, FRANCE, GERMANY, HUNGARY, INDIA, INDONESIA, ITALY, MALAYSIA, MEXICO, NETHERLANDS, PERU, POLAND, REPUBLIC OF KOREA, ROMANIA, SINGAPORE, SPAIN, SWITZERLAND, TAIWAN, THAILAND, TUNISIA, TURKEY, UNITED KINGDOM, USA, VIETNAM

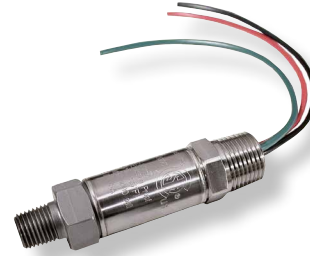
KOBOLD Instruments, Inc.
1801 Parkway View Drive
Pittsburgh, PA 15205
Main Office:
1.412.788.2830
1.412.788.4890
info@koboldusa.com
www.koboldusa.com



Explosion-Proof Pressure Transmitter Model KP46

Description

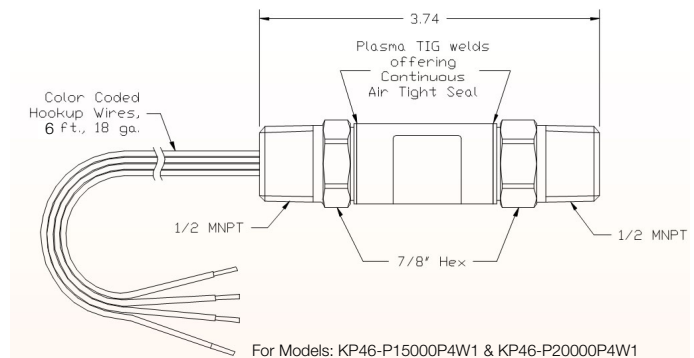
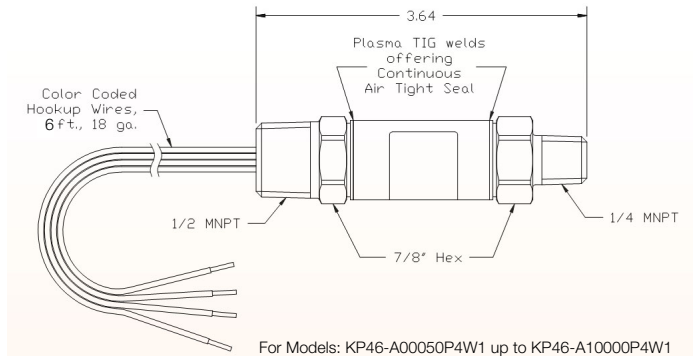
The KOBOLD KP46 series explosion-proof pressure transmitter is approved for use in hazardous locations per CSA standard 30 and U.L. standard 1203 for Class 1, Division 1 and 2 locations. The wetted materials are 316L or 17-4 PH stainless steel for compatibility with a wide variety of media. Both materials and construction comply with NACE MR0175. Other wetted materials, such as Hastelloy® C276 and Inconel® 178, are available upon request. The fitting and sensing diaphragm are machined out of a single piece of material so there are no welds, seams, or o-ring seals. This design results in excellent long-term performance and stability. The case is factory sealed, making the KP46 series very rugged with excellent shock and vibration resistance. It is ideal for explosion-proof applications where both price and performance are critical.



Technical Details

- Pressure Range:** 0...50 PSIG to 0...20000 PSIG
- Over Range Protection:** 2X full scale
- Burst Pressure:** 5X full scale
- Cycle Life:** >100 million cycles
- Fitting Type:** 1/4" NPT (up to 10000 PSIG)
1/2" NPT (15000 & 20000 PSIG)
- Wetted Materials:** 316L stainless steel (up to 10000 PSIG),
17-4PH stainless steel (15000 & 20000 PSIG), other materials upon request
- Corrosion Resistance:** complies with NACE MR0175
- Accuracy:** ±0.25% BFS
- Zero Offset:** <±1% of full scale
- Span Tolerance:** <±2% of full scale
- Media Temp. Range:** -55...250 °F
- Ambient Temp. Range:** -40...185 °F
- Compensated Range:** 30...130 °F
- Temperature Drift:** <±1.5% of full scale for zero and span
over the compensated range
- Shock Resistance:** 100G, 11mSec
- Vibration Resistance:** 10G peak, 20-2000Hz
- Stability (one year):** ±0.25% of full scale
- Hazardous Location:** CSA approved to standards CSA 30 and
U.L.1203; explosion-proof for Class 1,
Div 1, Groups A, B, C, and D; and Div 2,
Groups A, B, C, and D
- Output:** 4...20 mA, 2-wire
- Power Supply:** 10...28 VDC
- Max. Loop Load:** 800Ω
- Electrical Connection:** 1/2" NPT conduit with 6 ft. wire leads
- Electrical Protection:** NEMA 4X, IP 66

Dimensions



Order Details

Range (PSIG)	Model Number	Range (PSIG)	Model Number	Range (PSIG)	Model Number
0...50	KP46-A00050P4W1	0...1000	KP46-A01000P4W1	0...7500	KP46-A07500P4W1
0...100	KP46-A00100P4W1	0...1500	KP46-A01500P4W1	0...10000	KP46-A10000P4W1
0...200	KP46-A00200P4W1	0...3000	KP46-A03000P4W1	0...15000	KP46-P15000P4W0
0...500	KP46-A00500P4W1	0...5000	KP46-A05000P4W1	0...20000	KP46-P20000P4W0