



PAS/DRM Application Guide

Rev 10/24/18

* This form is only required if you are ordering the PAS with a DRM diaphragm seal.

General Information

Contact Name: _____

Company Name: _____

Phone: _____

Quote Number: _____

Email: _____

Date: _____

Number of Pieces Required: _____

This has not been quoted yet and pricing is required.

Model Information

1. PAS Model Number: _____

2. PAS Calibration Range: _____

3. DRM Model Number: _____

4. DRM Size Code: _____

5. DRM Material Type (Wetted Part): _____

Media Information

1. Media: _____

2. Media Operating Density: _____

3. Media Operating Viscosity: _____

Temperature

1. Minimum Media Temp: _____ Media Operating Temp: _____ Maximum Media Temp: _____

2. Minimum Ambient Temp: _____ Ambient Operating Temp: _____ Maximum Ambient Temp: _____

3. Rinsing Temp. of Diaphragm Seal: _____ Rinsing Temp. of Capillary: _____

Pressure

1. Static Operating Pressure: _____

2. Dynamic Minimum Operating Pressure: _____

3. Dynamic Maximum Operating Pressure: _____

4. Maximum Negative Pressure: _____

5. Maximum Over-Pressure: _____

6. Display Damping: Yes No

If Yes: Light Medium Strong

Arrangement with Direct Mounting

1. Placement of Seal

Standard (DRM at Six O'clock Position)

Left (DRM at Nine O'clock Position)

Right (DRM at 3 O'clock Position - See Fig.1, page 3)

Special: _____

2. Position with Pipe Diaphragm Seal:

Vertical

Horizontal

Arrangement with Capillary

1. Orientation with Capillary

Standard (DRM at Six O'clock Position)

On the Side (DRM at Three or Nine O'clock Position)

Top (DRM at 12 O'clock Position)

Special: _____

2. Position with Pipe Diaphragm Seal:

Vertical

Horizontal

Capillary (316-Ti SS)

1. Length of Capillary: _____

Protection Hose Required:

Yes

No

Height Adjustment

1. Factory Calibration for Height Adjustment Required:

No

Yes

If Yes, Choose from the Following Options:

PAS Same Level as DRM

PAS Higher than DRM (Fig. 2 or 3), Specify Δh : _____

PAS Lower than DRM (Fig. 2 or 3), Specify Δh : _____

Extended Diaphragm Seal Option (See Page 3)

1. Extended Diaphragm Seal:

No

Yes, R_L Length: _____

Fill Liquid

Glycerine Oil, Silicone Free, Food Grade, Operating Temperature 14...176 °F

Parrafin Oil, Silicone Free, Food Grade, Operating Temperature 14...248 °F

Silicone Oil for Operating Temperature -40...392 °F

Silicone Oil for Operating Temperature -4...662 °F

Silicone Oil for Operating Temperature -4...752 °F

Example of PAS Directly Assembled with Diaphragm Seal

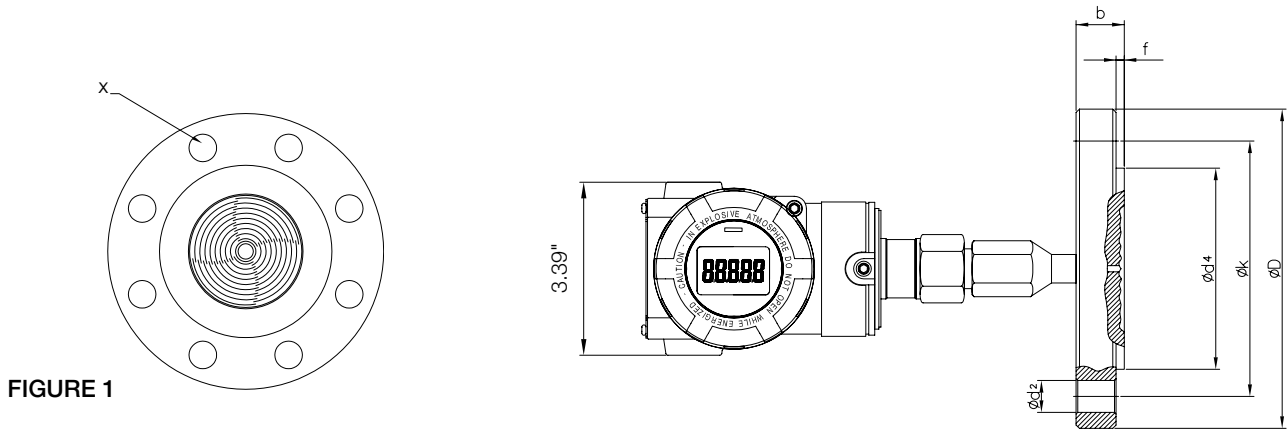


FIGURE 1

Example of PAS Assembled with Remote Diaphragm Seal and Capillary

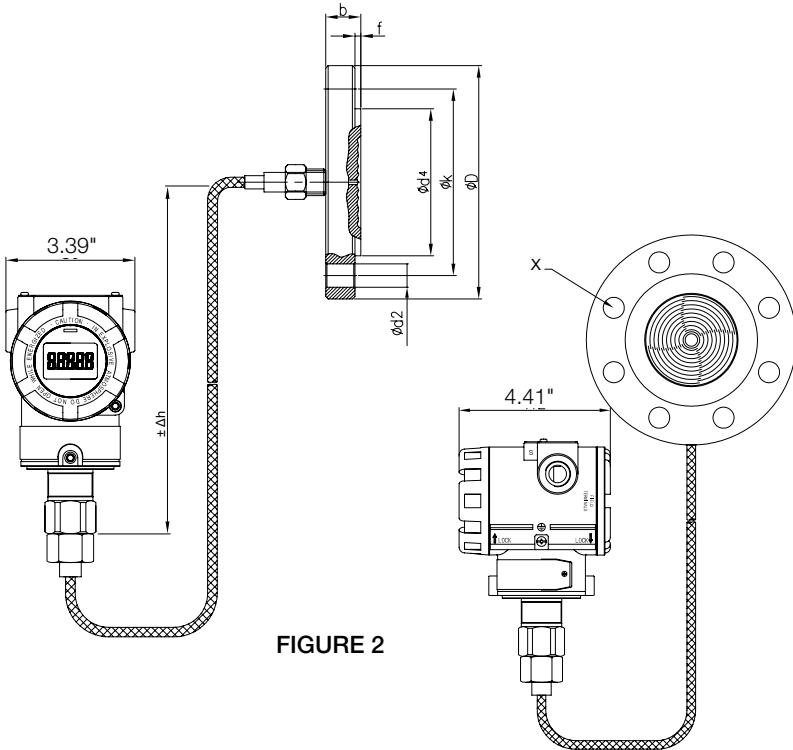


FIGURE 2

Example of PAS Remotely Assembled with Extended Diaphragm Seal and Capillary

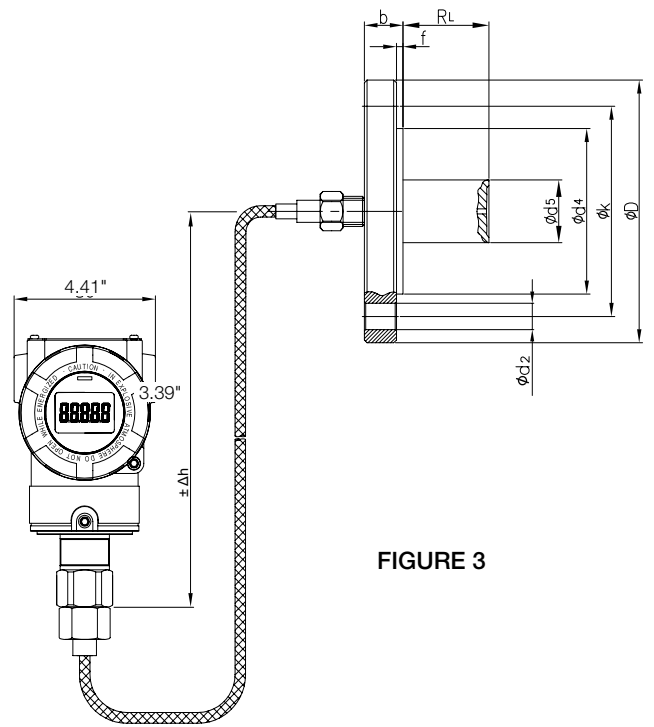


FIGURE 3

Special Requirements or Additional Considerations:

* For Dimensional Details, see DRM Datasheet